

Horizontal End suction Pump

Design Envelope,
IVS & Conventional

Parts list

File No: 6012.110
Date: SEPTEMBER 01, 2022
Supersedes: 6012.110
Date: AUGUST 25, 2021

—

—

—

—

CONTENTS

INTRODUCTION	4
4030 PARTS LIST	5
4200H PARTS LIST	6
4280 PARTS LIST	7
CASING GASKET	8
4030 COUPLING KIT	9
4200H COUPLING KIT	13
4200H MECHANICAL SEAL - INSIDE	15
4200H MECHANICAL SEAL KIT - OUTSIDE	15
4200H REPLACEMENT SEAL - OUTSIDE	16
4200H REPLACEMENT SEAL KIT - OUTSIDE	18
4200H REPLACEMENT SEAL - INSIDE	19
4030 & 4280 MECHANICAL SEAL KIT	20
4030 & 4280 REPLACEMENT SEAL KIT	20
4030 BEARING HOUSING/FRAME PARTS KIT	29

NOTE: USE CONFIGURATOR FOR CASING, IMPELLER, MOTOR AND VARIABLE FREQUENCY DRIVE (VFD)

INTRODUCTION

Armstrong was founded on the core values of Community, Service, Learning and Innovation. Reflecting our commitment to service, Armstrong now provides 360 Service and Support. Working collaboratively with the 'partner' companies in our network, we're ready to provide the service and support that customers need in relation to building performance.

A key part of serving our customers is providing Genuine Armstrong Replacement Parts to support installations of our products. But the value we provide goes beyond the quality of the replacement part.

With the availability of parts in packaged kits, you'll never have to leave a repair incomplete just because you didn't have all the pieces required for the job. And you won't have to pay a premium for rush delivery of additional parts.

Your customers will be happier, because their mechanical systems will be returned to service earlier. That means you'll be more likely to get their repeat business.

The Armstrong replacement parts program serves contractors and end customers through a combination of: Availability, Easy Selection, Easy Transactions, Quick Delivery and Technical Support.

AVAILABILITY

- Dedicated service parts inventory
- Real-time inventory information
- Active channel inventory management

EASY SELECTION

- Parts selection charts with updated descriptions, pictures and sizing details
- Illustrated part selection information
- Product details on packaging
- All items within each Parts Kit are carefully selected for accurate sizing

EASE OF TRANSACTION

- Parts and Kits available in [ADEPT](#) Locator tool for local parts dealers
- Complete parts kits reduce the work to source items.
- One search and one order address a service issue

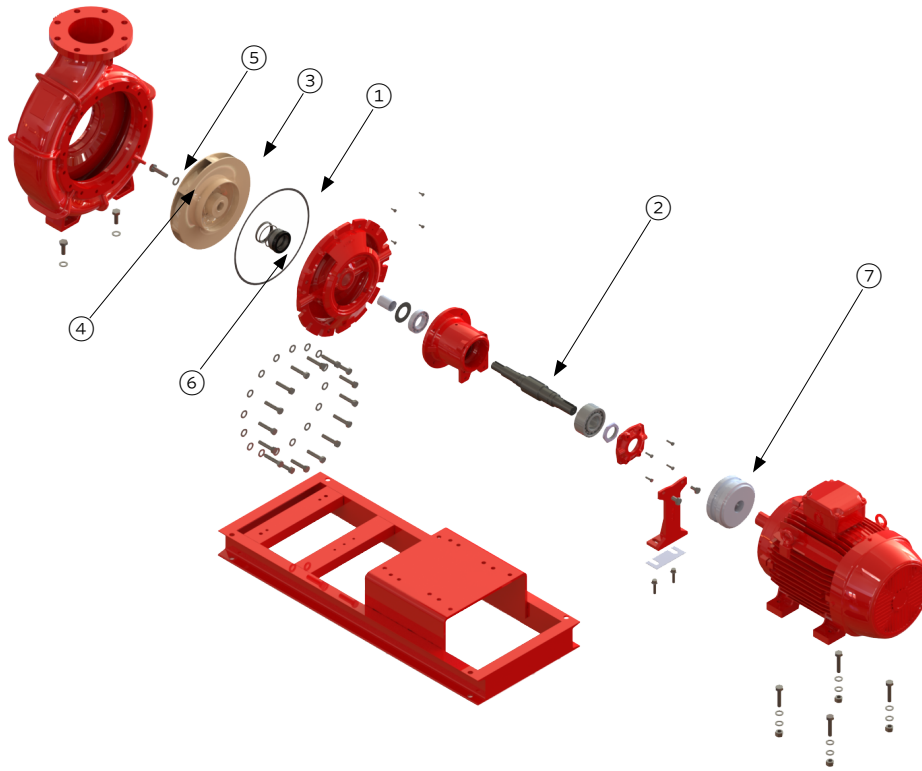
QUICK DELIVERY OF PARTS SOLUTIONS

- On-time shipment
- Options for shipping service levels
- Parts Kits include all parts and related items required to complete replacement work

SUPPORT

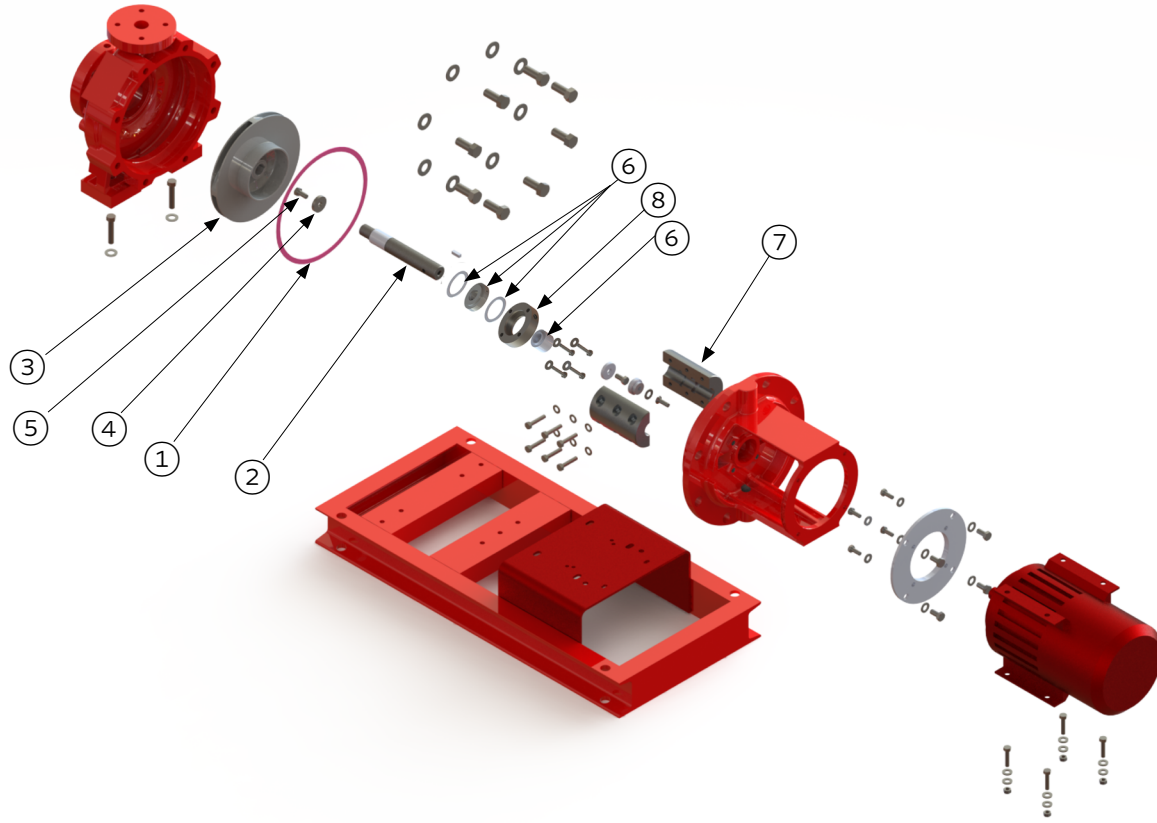
- Trained Armstrong support professionals
- Dedicated 24x7 service and support parts

4030 PARTS LIST



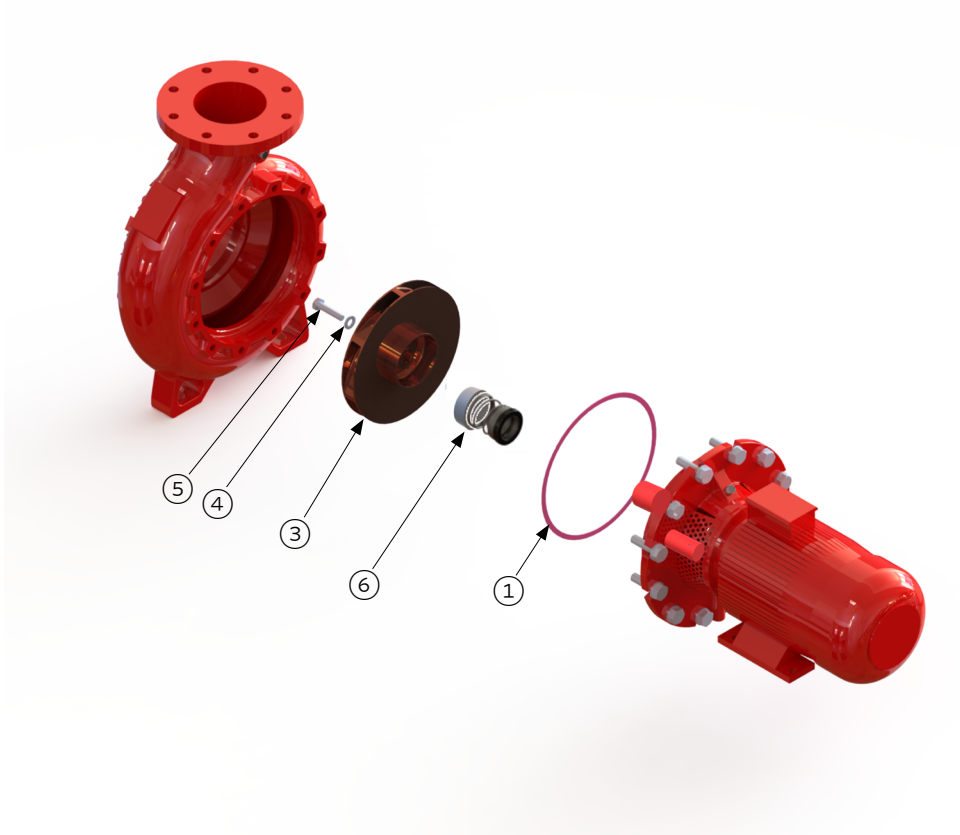
ITEM	DESCRIPTION
①	Casing Gasket
⑦	Coupling
③	Impeller
⑤	Impeller Cap Screw
④	Impeller Washer
⑥	Mechanical Seal
②	Shaft

4200H PARTS LIST



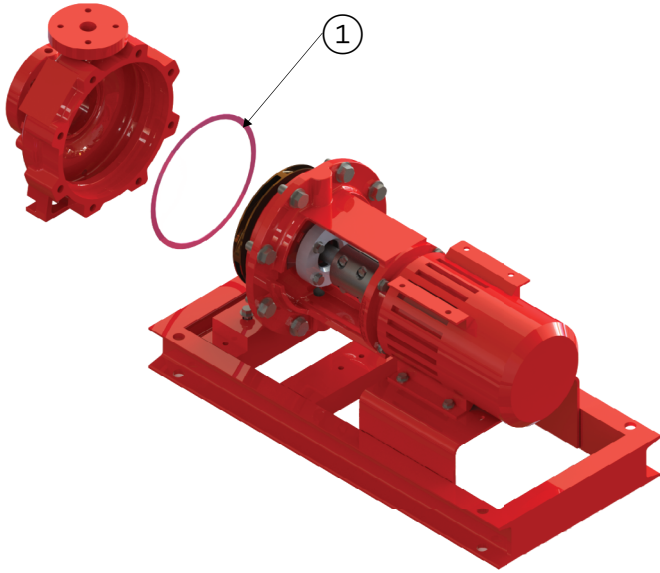
ITEM	DESCRIPTION
①	Casing Gasket
⑦	Coupling
③	Impeller
⑤	Impeller Cap Screw
④	Impeller Washer
⑥	Mechanical Seal
⑧	Seal Cover
②	Shaft

4280 PARTS LIST



ITEM	DESCRIPTION
①	Casing Gasket
③	Impeller
⑤	Impeller Cap Screw
④	Impeller Washer
⑥	Mechanical Seal

CASING GASKET

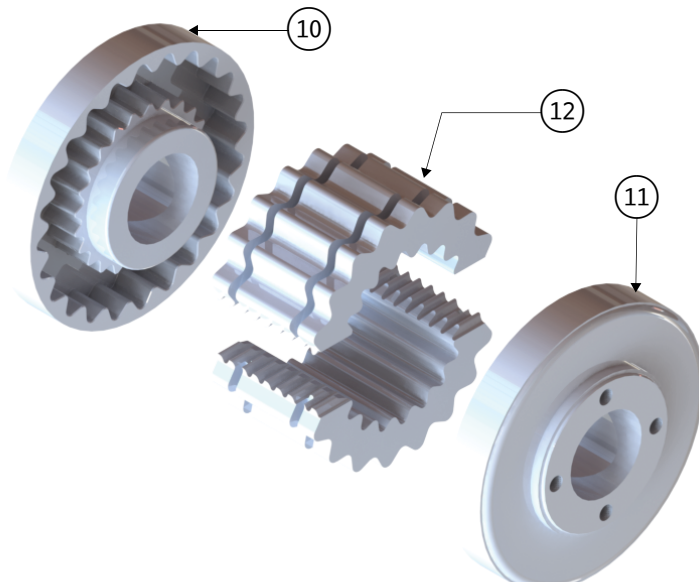


ITEM	DESCRIPTION
①	Casing Gasket

PUMP SIZE	PART NUMBER	QTY REQUIRED
1.5x1x6	8426401-002	1
3x1.5x6	8426401-002	1
3x2x6	8426401-002	1
3x2.5x6	8426401-002	1
4x3x6W	8426401-002	1
1.5x1x8	8426401-003	1
3x1.5x8	8426401-003	1
3x2x8	8426401-003	1
3x2.5x8	8426401-003	1
4x3x8	8426401-003	1
5x4x8	8426401-003	1
6x4x8	8426401-003	1
8x8x8	8426401-003	1
2x1x10	8426401-004	1
2x1.5x10	8426401-004	1
3x1.5x10	8426401-004	1
3x2x10	8426401-004	1
3x2.5x10	8426401-004	1
4x3x10	8426401-004	1

PUMP SIZE	PART NUMBER	QTY REQUIRED
5x4x10	8426401-004	1
6x4x10	8426401-004	1
6x5x10	8426401-004	1
8x6x10	8426401-004	1
4x3x11.5	8426401-006	1
5x4x11.5	8426401-006	1
6x5x11.5	8426401-006	1
8x6x11.5	8426401-006	1
3x1.5x13	8426401-005	1
3x2x13	8426401-005	1
4x3x13L	8426401-005	1
6x4x13	8426401-005	1
6x4x13H	8426401-005	1
6x5x13	8426401-005	1
6x5x13H	8426401-005	1
8x6x13	8426401-005	1
10x8x13	8426401-005	1
8x6x15	8426401-008	1
10x8x15	8426401-008	1

4030 COUPLING KIT



ITEM	DESCRIPTION
⑩	Coupling Flange Pump End
⑪	Coupling Flange Motor End
⑫	Coupling Sleeve

PUMP SIZE	MOTOR FRAME	PART NUMBER	QTY REQUIRED
1.5x1x6	56C	8975000-823K	1
3x1.5x6			
3x2x6			
3x2.5x6			
4x3x6W			
6x6x6			
1.5x1x8			
3x1.5x8			
3x2x8			
3x2.5x8			
4x3x8			
2x1x10			
2x1.5x10			
1.5x1x6			
3x1.5x6			
3x2x6			
3x2.5x6			
4x3x6			
6x6x6			
1.5x1x8			
3x1.5x8			
3x2x8			

PUMP SIZE	MOTOR FRAME	PART NUMBER	QTY REQUIRED
3x2x8	143TC 145TC	8975000-823K	1
3x2.5x8			
4x3x8			
5x4x8			
6x4x8			
8x8x8			
2x1x10			
2x1.5x10			
3x1.5x10			
3x2x10			
3x2.5x10			
1.5x1x6	182T 184T	8975000-827K	1
3x1.5x6			
3x2x6			
3x2.5x6			
4x3x6			
6x6x6			
1.5x1x8			
3x1.5x8			
3x2x8			

Horizontal End Suction
Pump

PARTS LIST

10

PUMP SIZE	MOTOR FRAME	PART NUMBER	QTY REQUIRED
4x3x8	182T 184T	8975000-827K	1
5x4x8W			
6x4x8W			
6x5x8			
8x8x8			
2x1x10			
2x1.5x10			
3x2x10			
3x2.5x10			
4x3x10			
5x4x10			
6x4x10			
6x5x10			
4x3x11.5			
1.5x1x6			
3x1.5x6			
3x2x6			
3x2.5x6			
4x3x6			
6x6x6			
1.5x1x8			
3x1.5x8			
3x2x8			
3x2.5x8			
4x3x8			
5x4x8W			
6x4x8W			
6x5x8			
2x1x10			
2x1.5x10			
3x1.5x10			
3x2x10			
3x2.5x10			
4x3x10			
5x4x10			
6x4x10			
6x5x10			
4x3x11.5			
5x4x11.5			
6x5x11.5			

PUMP SIZE	MOTOR FRAME	PART NUMBER	QTY REQUIRED
8x8x8	213TC 215TC	8975000-834K	1
8x6x10W			
8x6x11.5			
3x1.5x13			
3x2x13			
4x3x13			
4x3x13L			
6x4x13			
6x5x13			
6x5x13H			
8x6x13L	213TC	89975000-065K	1
8x6x13	215TC		
3x1.5x6	254TC 256TC	8975000-838K	1
3x2x6			
3x2.5x6			
1.5x1x8			
3x1.5x8			
3x2x8			
4x3x10			
5x4x10			
6x4x10			
6x5x10			
4x3x11.5	254TC 256TC	8975000-840K	1
5x4x11.5			
4x3x6			
3x2.5x8			
4x3x8			
5x4x8W			
6x4x8W			
6x5x8			
8x8x8			
2x1x10			
2x1.5x10			
3x1.5x10			
3x2x10			
3x2.5x10			
8x6x10W			
6x5x11.5			
8x6x11.5			

PUMP SIZE	MOTOR FRAME	PART NUMBER	QTY REQUIRED
3x1.5x13	254TC 256TC	8975000-840K	1
3x2x13			
4x3x13			
4x3x13L			
6x4x13			
6x4x13H			
6x5x13			
6x5x13H			
8x6x13L	254TC 256TC	89975000-066K	1
8x6x13			
4x3x6	284TSC 286TSC	8975000-840K	1
3x1.5x8			
3x2x8			
3x2.5x8			
4x3x8			
5x4x8W			
6x4x8W			
2x1x10			
2x1.5x10			
3x1.5x10			
3x2x10			
3x2.5x10			
4x3x10			
6x4x10			
5x4x10	284TSC 286TSC	89975000-165K	1
5x4x10	284TC 286TC	8975000-045K	1
6x4x10			
6x5x10			
8x6x10W			
4x3x11.5			
5x4x11.5			
6x5x11.5			
8x6x11.5			
3x2x13			
4x3x13			
4x3x13L			
6x4x13			
6x4x13H			

PUMP SIZE	MOTOR FRAME	PART NUMBER	QTY REQUIRED
6x5x13	284TC 286TC	8975000-045K	1
6x5x13H			
8x6x13L			
8x6x13			
3x2.5x8	324TSC 326TSC	8975000-045K	1
4x3x8			
5x4x8W			
6x4x8W			
2x1x10			
2x1.5x10			
3x1.5x10			
3x2x10			
3x2.5x10			
4x3x10			
5x4x10			
6x4x10			
3x1.5x13			
3x2x13			
6x5x10	324TC 326C	8975000-049K	1
8x6x10W			
6x5x11.5			
8x6x11.5			
4x3x13			
4x3x13L			
6x4x13	364TSC 365TSC	8975000-049K	1
6x4x13H			
6x5x13			
6x5x13H			
8x6x13L	364TSC 365TSC	89975000-867K	1
8x6x13			
5x4x8W			
6x4x8W			
3x2x10			
3x2.5x10			
4x3x10			
6x4x10			
3x1.5x13			
3x2x13			
5x4x10	364TSC 365TSC	89975000-867K	1

Horizontal End Suction
Pump

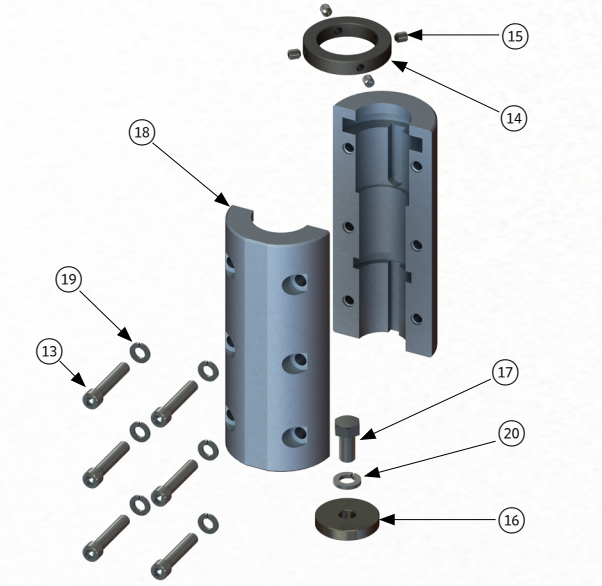
PARTS LIST

12

PUMP SIZE	MOTOR FRAME	PART NUMBER	QTY REQUIRED
8x6x11.5	364TC 365TC	8975000-145K	1
6x4x13			
6x4x13H			
6x5x13			
6x5x13H			
8x6x13L			
8x6x13	364TC 365TC	89975000-066K	1
10x8x13	364TC 365TC	8975000-880K	1
8x6x15			
10x8x15			
3x2.5x10	404TSC 405TSC	8975000-145K	1
4x3x10	404TSC 405TSC	89975000-166K	1
5x4x10			
6x4x10			

PUMP SIZE	MOTOR FRAME	PART NUMBER	QTY REQUIRED
3x1.5x13	404TSC	8975000-245K	1
3x2x13	405TSC		
6x5x13	404TC	8975000-149K	1
6x5x13H	405TC		
10x8x13	404TC 405TC	8975000-084K	1
8x6x15			
10x8x15			
5x4x10	444TSC 445TSC	8975000-345K	1
10x8x13	444TC 445TC	8975000-184K	1
8x6x15			
10x8x15			
10x8x13	447TSC 449TSC	8975000-284K	1
8x6x15	447TC 449TC	8975000-184K	1
10x8x15			

4200H COUPLING KIT



ITEM	DESCRIPTION
13	Capscrew
14	Motor Collar
15	Motor Shaft Setscrew
16	Pump Collar
20	Pump Collar Washer
17	Pump Shaft Capscrew
18	Split Coupling
19	Washer

PUMP SIZE	MOTOR FRAME	PART NUMBER	QTY REQUIRED
1.5x1x6	143TC 145TC	8427731-000K	1
3x1.5x6			
3x2.5x6			
1.5x1x8			
3x1.5x8			
4x3x8			
6x4x8			
1.5x1x6	182TC 184TC	8427732-000K	1
3x1.5x6			
3x2.5x6			
1.5x1x8			
3x1.5x8			
4x3x8			
6x4x8			
3x2x10			
5x4x10			
8x6x10			
6x5x11.5			
1.5x1x6	213TC 215TC	8427733-000K	1
3x1.5x6			
3x2.5x6			
1.5x1x8			

PUMP SIZE	MOTOR FRAME	PART NUMBER	QTY REQUIRED
3x1.5x8	213TC 215TC	8427733-000K	1
4x3x8			
6x4x8			
3x2x10			
5x4x10			
8x6x10			
6x5x11.5			
8x6x13	254TC 256TC	8427734-000K	1
3x1.5x6			
3x2.5x6			
1.5x1x8			
3x1.5x8			
4x3x8			
6x4x8			
3x2x10			
5x4x10			
8x6x10			
6x5x11.5			
6x4x13			
8x6x13			
10x8x13			

Horizontal End Suction
Pump

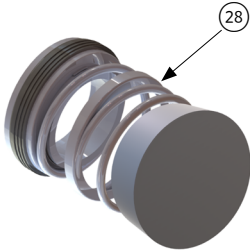
PARTS LIST

14

PUMP SIZE	MOTOR FRAME	PART NUMBER	QTY REQUIRED
3x1.5x8	284TSC 286TSC	8427735-000K	1
4x3x8			
6x4x8			
5x4x10			
6x5x11.5			
3x1.5x8	284TSC 286TSC	8427736-000K	1
4x3x8			
6x4x8			
5x4x10			
8x6x10			
6x5x11.5			
6x4x13			
6x4x13H			
6x5x13			
6x5x13H			
8x6x13			
10x8x13			
6x4x13H	284TSC 286TSC	8427895-000K	1
6x5x13			
6x5x13H			
8x6x13			
10x8x13			
8x6x15			
10x8x15			
3x1.5x8	324TSC 326TSC	8427737-000K	1
4x3x8			
6x4x8			
3x2x10			
5x4x10			
6x5x11.5			
3x1.5x8	324TC 326TC	8427738-000K	1
4x3x8			
6x4x8			
5x4x10			
8x6x10			
6x5x11.5			
6x4x13			
6x4x13H			
6x5x13			

PUMP SIZE	MOTOR FRAME	PART NUMBER	QTY REQUIRED			
6x5x13H	324TC 326TC	8427738-000K	1			
8x6x13						
10x8x13						
6x4x13H	324TC 326TC	8427867-000K	1			
6x5x13						
6x5x13H						
8x6x13						
10x8x13						
8x6x15	364TSC 365TSC	8427737-000K	1			
10x8x15						
6x4x8	364TC 365TC	8427739-000K	1			
5x4x10						
6x4x13						
6x4x13H						
6x5x13						
6x5x13H						
8x6x13						
10x8x13						
6x4x13H				364TC 365TC	8427868-000K	1
6x5x13						
6x5x13H						
8x6x13	404TSC 405TSC	8427740-000K	1			
10x8x13						
6x4x8	404TC 405TC	8427867-000K	1			
5x4x10						
8x6x13						
10x8x13	404TC 405TC	8427869-000K	1			
8x6x13						
10x8x13	444TSC 445TSC	8427548-000K	1			
8x6x13						
10x8x13	444TC 445TC	8427870-000K	1			
8x6x13						

4200H MECHANICAL SEAL - INSIDE

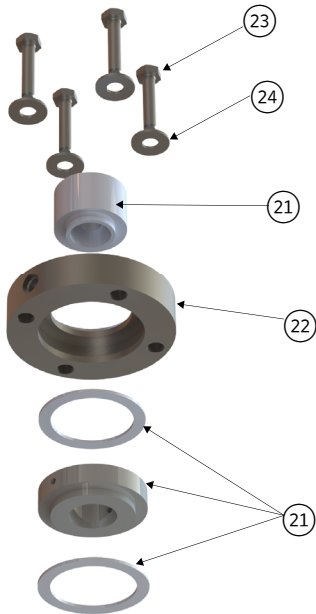


KIT CONTENTS

ITEM	DESCRIPTION
28	Mechanical Seal

Manu Code	C-CER 1A
Seal type	Armstrong Type 1A
Rotating Face	Carbon
Stationary Seat	Ceramic
Secondary Seal	EPDM
Legend (Refer App.Guide)	A2

4200H MECHANICAL SEAL KIT - OUTSIDE



KIT CONTENTS

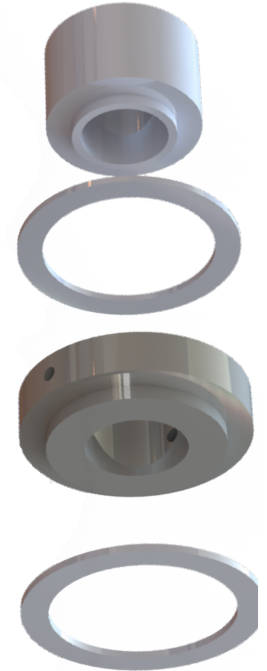
ITEM	DESCRIPTION
21	Mechanical Seal
22	Seal Cover
23	Seal Cover Capscrew
24	Seal Cover Capscrew Washer

Manu Code	C-SSC AB2	C-SSC G30	SSC-SSC AT70	AC-SSC AT70
Seal type	AB2	G30	AT70	AT70
Rotating Face	Resin Bonded Carbon	Carbon	Sintered Silicon Carbide	Antimony-loaded Carbon
Stationary Seat	Sintered Silicon Carbide	Silicon Carbide	Sintered Silicon Carbide	Sintered Silicon Carbide
Secondary Seal	Viton	Viton	Aflas	Aflas
Legend (Refer App.Guide)	A1-2	G30	A3	A4

4200H REPLACEMENT SEAL - OUTSIDE

REPLACEMENT SEAL PART NUMBERS

PUMP SIZE	FRAME	PART NUMBER			
		A1-2	G30	A3	A4
1.5x1x6	143-145	8975002-304	8975000-962	8975002-408	8975002-405
	182-184	8975002-304	8975000-962	8975002-408	8975002-405
	213-215	8975002-304	8975000-962	8975002-408	8975002-405
1.5x1x8	143-145	8975002-304	8975000-962	8975002-408	8975002-405
	182-184	8975002-304	8975000-962	8975002-408	8975002-405
	213-215	8975002-304	8975000-962	8975002-408	8975002-405
	254-256	8975002-304	8975000-962	8975002-408	8975002-405
10x8x13	284-286	8975002-334	8975000-963	8975002-438	8975002-435
	254-256	8975002-334	8975000-963	8975002-438	8975002-435
	284-286	8975002-334	8975000-963	8975002-438	8975002-435
	324-326	8975002-334	8975000-963	8975002-438	8975002-435
	364-365	8975002-374	8975000-964	8975002-478	8975002-475
10x8x15	404-405	8975002-374	8975000-964	8975002-478	8975002-475
	444-445	8975002-374	8975000-964	8975002-478	8975002-475
	404-405	8975002-374	8975000-964	8975002-478	8975002-475
	444-445	8975002-374	8975000-964	8975002-478	8975002-475
3x1.5x6	143-145	8975002-304	8975000-962	8975002-408	8975002-405
	182-184	8975002-304	8975000-962	8975002-408	8975002-405
	213-215	8975002-304	8975000-962	8975002-408	8975002-405
	254-256	8975002-304	8975000-962	8975002-408	8975002-405
3x1.5x8	143-145	8975002-304	8975000-962	8975002-408	8975002-405
	182-184	8975002-304	8975000-962	8975002-408	8975002-405
	213-215	8975002-304	8975000-962	8975002-408	8975002-405
	254-256	8975002-304	8975000-962	8975002-408	8975002-405
	284-286	8975002-334	8975000-963	8975002-438	8975002-435
3x2.5x6	324-326	8975002-334	8975000-963	8975002-438	8975002-435
	143-145	8975002-304	8975000-962	8975002-408	8975002-405
	182-184	8975002-304	8975000-962	8975002-408	8975002-405
	213-215	8975002-304	8975000-962	8975002-408	8975002-405
3x2x10	254-256	8975002-304	8975000-962	8975002-408	8975002-405
	143-145	8975002-304	8975000-962	8975002-408	8975002-405
	182-184	8975002-304	8975000-962	8975002-408	8975002-405
	213-215	8975002-304	8975000-962	8975002-408	8975002-405
4x3x8	254-256	8975002-304	8975000-962	8975002-408	8975002-405
	143-145	8975002-304	8975000-962	8975002-408	8975002-405
	182-184	8975002-304	8975000-962	8975002-408	8975002-405
	213-215	8975002-304	8975000-962	8975002-408	8975002-405
	284-286	8975002-334	8975000-963	8975002-438	8975002-435
5x4x10	324-326	8975002-334	8975000-963	8975002-438	8975002-435
	143-145	8975002-304	8975000-962	8975002-408	8975002-405
	182-184	8975002-304	8975000-962	8975002-408	8975002-405
	213-215	8975002-304	8975000-962	8975002-408	8975002-405
	254-256	8975002-304	8975000-962	8975002-408	8975002-405



PUMP SIZE	FRAME	PART NUMBER			
		A1-2	G30	A3	A4
5x4x10	284-286	8975002-334	8975000-963	8975002-438	8975002-435
	324-326	8975002-334	8975000-963	8975002-438	8975002-435
	364-365	8975002-334	8975000-963	8975002-438	8975002-435
	404-449	8975002-334	8975000-963	8975002-438	8975002-435
6x4x13	254-256	8975002-334	8975000-963	8975002-438	8975002-435
	284-286	8975002-334	8975000-963	8975002-438	8975002-435
	324-326	8975002-334	8975000-963	8975002-438	8975002-435
	364-365	8975002-334	8975000-963	8975002-438	8975002-435
6x4x13H	284-286	8975002-334	8975000-963	8975002-438	8975002-435
	324-326	8975002-334	8975000-963	8975002-438	8975002-435
	364-365	8975002-334	8975000-963	8975002-438	8975002-435
6x4x8	143-145	8975002-304	8975000-962	8975002-408	8975002-405
	182-184	8975002-304	8975000-962	8975002-408	8975002-405
	213-215	8975002-304	8975000-962	8975002-408	8975002-405
	254-256	8975002-304	8975000-962	8975002-408	8975002-405
	284-286	8975002-334	8975000-963	8975002-438	8975002-435
	324-365	8975002-334	8975000-963	8975002-438	8975002-435
	404-405	8975002-334	8975000-963	8975002-438	8975002-435
6x5x11.5	182-184	8975002-304	8975000-962	8975002-408	8975002-405
	213-215	8975002-304	8975000-962	8975002-408	8975002-405
	254-256	8975002-304	8975000-962	8975002-408	8975002-405
	284-286	8975002-334	8975000-963	8975002-438	8975002-435
	324-326	8975002-334	8975000-963	8975002-438	8975002-435
6x5x13	284-286	8975002-334	8975000-963	8975002-438	8975002-435
	324-326	8975002-334	8975000-963	8975002-438	8975002-435
	364-365	8975002-334	8975000-963	8975002-438	8975002-435
6x5x13H	284-286	8975002-334	8975000-963	8975002-438	8975002-435
	324-326	8975002-334	8975000-963	8975002-438	8975002-435
	364-365	8975002-334	8975000-963	8975002-438	8975002-435
	404-405	8975002-374	8975000-964	8975002-478	8975002-475
8x6x10	143-145	8975002-304	8975000-962	8975002-408	8975002-405
	182-184	8975002-304	8975000-962	8975002-408	8975002-405
	213-215	8975002-304	8975000-962	8975002-408	8975002-405
	254-256	8975002-304	8975000-962	8975002-408	8975002-405
	284-286	8975002-334	8975000-963	8975002-438	8975002-435
	324-326	8975002-334	8975000-963	8975002-438	8975002-435
8x6x13	213-215	8975002-334	8975000-963	8975002-438	8975002-435
	254-256	8975002-334	8975000-963	8975002-438	8975002-435
	284-286	8975002-334	8975000-963	8975002-438	8975002-435
	324-326	8975002-334	8975000-963	8975002-438	8975002-435
	364-365	8975002-334	8975000-963	8975002-438	8975002-435
	404-405	8975002-374	8975000-964	8975002-478	8975002-475
	444-445	8975002-374	8975000-964	8975002-478	8975002-475
8x6x15	284-286	8975002-374	8975000-964	8975002-478	8975002-475
	324-326	8975002-374	8975000-964	8975002-478	8975002-475
	364-365	8975002-374	8975000-964	8975002-478	8975002-475
	404-405	8975002-374	8975000-964	8975002-478	8975002-475
	444-445	8975002-374	8975000-964	8975002-478	8975002-475

4200H REPLACEMENT SEAL KIT - OUTSIDE

KIT PART NUMBERS

PUMP SIZE	FRAME	PART NUMBER			
		A1-2	G30	A3	A4
1.5x1x6	143-145	8975002-304K	—	—	—
	182-184	8975002-304K	—	—	—
	213-215	8975002-304K	—	—	—
1.5x1x8	143-145	8975002-304K	—	—	—
	182-184	8975002-304K	—	—	—
	213-215	8975002-304K	—	—	—
	254-256	8975002-304K	—	—	—
	284-286	8975002-334K	—	—	—
10x8x13	254-256	8975002-334K	—	—	—
	284-286	8975002-334K	—	—	—
	324-326	8975002-334K	—	—	—
	364-365	8975002-374K	—	—	—
	404-405	8975002-374K	—	—	—
	444-445	8975002-374K	—	—	—
10x8x15	404-405	8975002-374K	—	—	—
	444-445	8975002-374K	—	—	—
3x1.5x6	143-145	8975002-304K	—	—	—
	182-184	8975002-304K	—	—	—
	213-215	8975002-304K	—	—	—
	254-256	8975002-304K	—	—	—
3x1.5x8	143-145	8975002-304K	—	—	—
	182-184	8975002-304K	—	—	—
	213-215	8975002-304K	—	—	—
	254-256	8975002-304K	—	—	—
	284-286	8975002-334K	—	—	—
	324-326	8975002-334K	—	—	—
3x2.5x6	143-145	8975002-304K	—	—	—
	182-184	8975002-304K	—	—	—
	213-215	8975002-304K	—	—	—
	254-256	8975002-304K	—	—	—
3x2x10	143-145	8975002-304K	—	—	—
	182-184	8975002-304K	—	—	—
	213-215	8975002-304K	—	—	—
	254-256	8975002-304K	—	—	—
4x3x8	143-145	8975002-304K	—	—	—
	182-184	8975002-304K	—	—	—
	213-215	8975002-304K	—	—	—
	254-256	8975002-304K	—	—	—
	284-286	8975002-334K	—	—	—
	324-326	8975002-334K	—	—	—
5x4x10	143-145	8975002-304K	—	—	—
	182-184	8975002-304K	—	—	—
	213-215	8975002-304K	—	—	—
	254-256	8975002-304K	—	—	—
	284-286	8975002-334K	—	—	—
	324-326	8975002-334K	—	—	—
	364-365	8975002-334K	—	—	—
	404-449	8975002-334K	—	—	—

PUMP SIZE	FRAME	PART NUMBER			
		A1-2	G30	A3	A4
6x4x13	254-256	8975002-334K	—	—	—
	284-286	8975002-334K	—	—	—
	324-326	8975002-334K	—	—	—
	364-365	8975002-334K	—	—	—
6x4x13H	284-286	8975002-334K	—	—	—
	324-326	8975002-334K	—	—	—
	364-365	8975002-334K	—	—	—
	143-145	8975002-304K	—	—	—
6x4x8	182-184	8975002-304K	—	—	—
	213-215	8975002-304K	—	—	—
	254-256	8975002-304K	—	—	—
	284-286	8975002-334K	—	—	—
	324-365	8975002-334K	—	—	—
	404-405	8975002-334K	—	—	—
6x5x11.5	182-184	8975002-304K	—	—	—
	213-215	8975002-304K	—	—	—
	254-256	8975002-304K	—	—	—
	284-286	8975002-334K	—	—	—
6x5x13	324-326	8975002-334K	—	—	—
	364-365	8975002-334K	—	—	—
	284-286	8975002-334K	—	—	—
6x5x13H	324-326	8975002-334K	—	—	—
	364-365	8975002-334K	—	—	—
	404-405	8975002-374K	—	—	—
	143-145	8975002-304K	—	—	—
8x6x10	182-184	8975002-304K	—	—	—
	213-215	8975002-304K	—	—	—
	254-256	8975002-304K	—	—	—
	284-286	8975002-334K	—	—	—
	324-326	8975002-334K	—	—	—
	213-215	8975002-334K	—	—	—
8x6x13	254-256	8975002-334K	—	—	—
	284-286	8975002-334K	—	—	—
	324-326	8975002-334K	—	—	—
	364-365	8975002-334K	—	—	—
	404-405	8975002-374K	—	—	—
	444-445	8975002-374K	—	—	—
	284-286	8975002-374K	—	—	—
	324-326	8975002-374K	—	—	—
8x6x15	364-365	8975002-374K	—	—	—
	404-405	8975002-374K	—	—	—
	444-445	8975002-374K	—	—	—
	284-286	8975002-374K	—	—	—

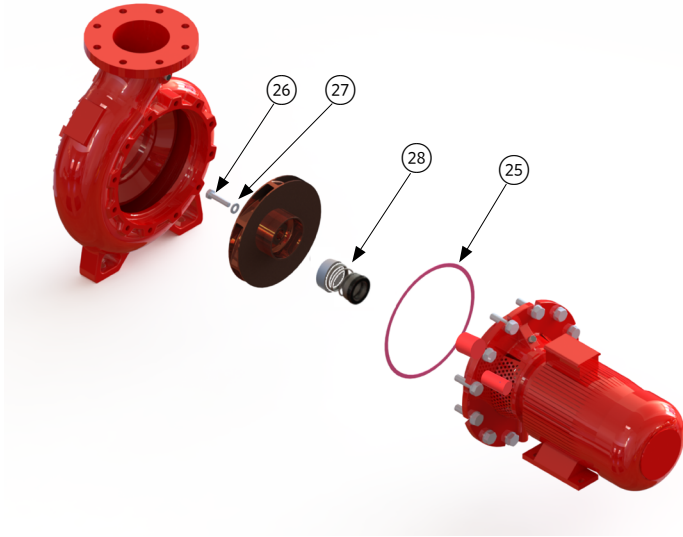
4200H REPLACEMENT SEAL - INSIDE**REPLACEMENT SEAL PART NUMBERS**

PUMP SIZE	FRAME	PART NUMBER	PUMP SIZE	FRAME	PART NUMBER	PUMP SIZE	FRAME	PART NUMBER
		A2			A2			A2
1.5x1x6	143-145	8975001-507	3x2x10	143-145	8975001-507	6x5x11.5	182-184	8975001-507
	182-184	8975001-507		182-184	8975001-507		213-215	8975001-507
	213-215	8975001-507		213-215	8975001-507		254-256	8975001-507
1.5x1x8	143-145	8975001-507		254-256	8975001-507		284-286	8975001-537
	182-184	8975001-507	4x3x8	143-145	8975001-507		324-326	8975001-537
	213-215	8975001-507		182-184	8975001-507	6x5x13	284-286	8975001-537
	254-256	8975001-507		213-215	8975001-507		324-326	8975001-537
284-286	8975001-537	254-256		8975001-507	364-365		8975001-537	
10x8x13	254-256	8975001-537	284-286	8975001-537	6x5x13H	284-286	8975001-537	
	284-286	8975001-537	324-326	8975001-537		324-326	8975001-537	
	324-326	8975001-537	5x4x10	143-145		8975001-507	364-365	8975001-537
	364-365	8975001-577		182-184		8975001-507	404-405	8975001-577
	404-405	8975001-577		213-215	8975001-507	8x6x10	143-145	8975001-507
444-445	8975001-577	254-256		8975001-507	182-184		8975001-507	
10x8x15	404-405	8975001-577		284-286	8975001-537		213-215	8975001-507
	444-445	8975001-577	324-326	8975001-537	254-256		8975001-507	
3x1.5x6	143-145	8975001-507	364-365	8975001-537	284-286		8975001-537	
	182-184	8975001-507	404-449	8975001-537	324-326	8975001-537		
	213-215	8975001-507	6x4x13	254-256	8975001-537	213-215	8975001-537	
	254-256	8975001-507		284-286	8975001-537	254-256	8975001-537	
3x1.5x8	143-145	8975001-507		324-326	8975001-537	284-286	8975001-537	
	182-184	8975001-507		364-365	8975001-537	324-326	8975001-537	
	213-215	8975001-507	6x4x13H	284-286	8975001-537	364-365	8975001-537	
	254-256	8975001-507		324-326	8975001-537	404-405	8975001-577	
	284-286	8975001-537		364-365	8975001-537	444-445	8975001-577	
324-326	8975001-537	6x4x8	143-145	8975001-507	284-286	8975001-577		
3x2.5x6	143-145		8975001-507	182-184	8975001-507	324-326	8975001-577	
	182-184		8975001-507	213-215	8975001-507	364-365	8975001-577	
	213-215		8975001-507	254-256	8975001-507	404-405	8975001-577	
	254-256		8975001-507	284-286	8975001-537	444-445	8975001-577	
			324-365	8975001-537				
			404-405	8975001-537				

CANADA, US**APPLICATION GUIDE**

Fluid	<=200F			>200F AND <=250F			>250F AND <=275F			>275F
	<=2000 PPM	>2000PPM & <=4000PPM	>4000 PPM	<=2000 PPM	>2000PPM & <=4000PPM	>4000 PPM	<=2000 PPM	>2000PPM & <=4000PPM	>4000 PPM	ANY PPM
Potable Water	A1-2/D4	No Potable water under this condition								
Non-potable Water	A1-2/D4	A3/D3	NCP	A4/D3	A4/D3	NCP	A4	NCP	NCP	NCP
Glycol >30%	G30/D4	NCP	NCP	G30/D4	NCP	NCP	G30	NCP	NCP	NCP
All other	A1-2/D4	A3/D3	NCP	A4/D3	A4/D3	NCP	A4	NCP	NCP	NCP

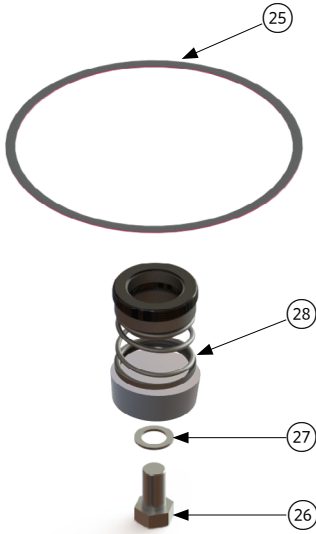
4030 & 4280 MECHANICAL SEAL KIT



KIT CONTENTS

ITEM	DESCRIPTION
25	Casing Gasket
26	Impeller Capscrew
27	Impeller Washer
28	Mechanical Seal

4030 & 4280 REPLACEMENT SEAL KIT



KIT CONTENTS

ITEM	DESCRIPTION
25	Casing Gasket
26	Impeller Capscrew
27	Impeller Washer
28	Mechanical Seal

Manu Code	ACssc O EPSS 2A	C-ssc L EPSS 2A	SSCssc L EPSS 2A
Seal type	2A	2A	2A
Rotating Face	Antimony Loaded Carbon	Resin Bonded Carbon	Sintered Silicon Carbide
Stationary Seat	Sintered Silicon Carbide	Sintered Silicon Carbide	Sintered Silicon Carbide
Seat Elastomer	EPDM (O-Ring)	EPDM (L-Cup)	EPDM (L-Cup)
Secondary Seal	EPDM	EPDM	EPDM
Legend (Refer App.Guide)	H3-A	L1-A	L2-A

* Default selection

4030 KIT PART NUMBERS

PUMP SIZE	FRAME	PART NUMBER		
		H3-A	L1-A	L2-A
1.5x1x6	56	89975001-81301K	8975000-98201K	89975001-81701K
	143-145	89975001-81301K	8975000-98201K	89975001-81701K
	182-184	89975001-81301K	8975000-98201K	89975001-81701K
	213-215	89975001-81301K	8975000-98201K	89975001-81701K
	254-256	89975001-81301K	8975000-98201K	89975001-81701K
1.5x1x8	56	89975001-81302K	8975000-98202K	89975001-81702K
	143-145	89975001-81302K	8975000-98202K	89975001-81702K
	182-184	89975001-81302K	8975000-98202K	89975001-81702K
	213-215	89975001-81302K	8975000-98202K	89975001-81702K
	254-256	89975001-81302K	8975000-98202K	89975001-81702K
10x8x13	284-286	89975001-87305K	8975000-98505K	89975001-87705K
	324-326	89975001-87305K	8975000-98505K	89975001-87705K
	364-364	89975001-87305K	8975000-98505K	89975001-87705K
	365-365	89975001-87305K	8975000-98505K	89975001-87705K
	404-405	89975001-87305K	8975000-98505K	89975001-87705K
10x8x15	444-445	89975001-87305K	8975000-98505K	89975001-87705K
	284-286	89975001-87306K	8975000-98506K	89975001-87706K
	324-326	89975001-87306K	8975000-98506K	89975001-87706K
	364-365	89975001-87306K	8975000-98506K	89975001-87706K
	404-405	89975001-87306K	8975000-98506K	89975001-87706K
2x1x10	444-445	89975001-87306K	8975000-98506K	89975001-87706K
	447-449	89975001-87306K	8975000-98506K	89975001-87706K
	56	89975001-81303K	8975000-98203K	89975001-81703K
	143-145	89975001-81303K	8975000-98203K	89975001-81703K
	182-184	89975001-81303K	8975000-98203K	89975001-81703K
	213-215	89975001-81303K	8975000-98203K	89975001-81703K
	254-256	89975001-83303K	8975000-98403K	89975001-83703K
3x1.5x10	284-286	89975001-83303K	8975000-98403K	89975001-83703K
	324-326	89975001-83303K	8975000-98403K	89975001-83703K
	143-145	89975001-81303K	8975000-98203K	89975001-81703K
	182-184	89975001-81303K	8975000-98203K	89975001-81703K
	213-215	89975001-81303K	8975000-98203K	89975001-81703K
	254-256	89975001-83303K	8975000-98403K	89975001-83703K
3x1.5x13	284-286	89975001-83303K	8975000-98403K	89975001-83703K
	324-326	89975001-83303K	8975000-98403K	89975001-83703K
	213-215	89975001-83305K	8975000-98405K	89975001-83705K
	254-256	89975001-83305K	8975000-98405K	89975001-83705K
	284-286	89975001-83305K	8975000-98405K	89975001-83705K
	324-326	89975001-83305K	8975000-98405K	89975001-83705K
3x1.5x6	364-365	89975001-83305K	8975000-98405K	89975001-83705K
	404-405	89975001-83305K	8975000-98405K	89975001-83705K
	56	89975001-81301K	8975000-98201K	89975001-81701K
	143-145	89975001-81301K	8975000-98201K	89975001-81701K
	182-184	89975001-81301K	8975000-98201K	89975001-81701K
	213-215	89975001-81301K	8975000-98201K	89975001-81701K
	254-256	89975001-81301K	8975000-98201K	89975001-81701K

Horizontal End Suction
Pump

PARTS LIST

22

PUMP SIZE	FRAME	PART NUMBER		
		H3-A	L1-A	L2-A
3x1.5x8	56	89975001-81302K	8975000-98202K	89975001-81702K
	143-145	89975001-81302K	8975000-98202K	89975001-81702K
	182-184	89975001-81302K	8975000-98202K	89975001-81702K
	213-215	89975001-81302K	8975000-98202K	89975001-81702K
	254-256	89975001-81302K	8975000-98202K	89975001-81702K
	284-286	89975001-83302K	8975000-98402K	89975001-83702K
3x2.5x10	143-145	89975001-81303K	8975000-98203K	89975001-81703K
	182-184	89975001-81303K	8975000-98203K	89975001-81703K
	213-215	89975001-81303K	8975000-98203K	89975001-81703K
	254-256	89975001-83303K	8975000-98403K	89975001-83703K
	284-286	89975001-83303K	8975000-98403K	89975001-83703K
	324-326	89975001-83303K	8975000-98403K	89975001-83703K
	364-365	89975001-83303K	8975000-98403K	89975001-83703K
405-405	89975001-83303K	8975000-98403K	89975001-83703K	
3x2.5x6	56	89975001-81301K	8975000-98201K	89975001-81701K
	143-145	89975001-81301K	8975000-98201K	89975001-81701K
	182-184	89975001-81301K	8975000-98201K	89975001-81701K
	213-215	89975001-81301K	8975000-98201K	89975001-81701K
	254-254	89975001-83301K	8975000-98401K	89975001-83701K
	256-256	89975001-83301K	8975000-98401K	89975001-83701K
284-286	89975001-83301K	8975000-98401K	89975001-83701K	
3x2.5x8	56	89975001-81302K	8975000-98202K	89975001-81702K
	143-145	89975001-81302K	8975000-98202K	89975001-81702K
	182-184	89975001-81302K	8975000-98202K	89975001-81702K
	213-215	89975001-81302K	8975000-98202K	89975001-81702K
	254-256	89975001-83302K	8975000-98402K	89975001-83702K
	284-286	89975001-83302K	8975000-98402K	89975001-83702K
324-326	89975001-83302K	8975000-98402K	89975001-83702K	
3x2x10	143-145	89975001-81303K	8975000-98203K	89975001-81703K
	182-184	89975001-81303K	8975000-98203K	89975001-81703K
	213-215	89975001-81303K	8975000-98203K	89975001-81703K
	254-256	89975001-83303K	8975000-98403K	89975001-83703K
	284-286	89975001-83303K	8975000-98403K	89975001-83703K
	324-326	89975001-83303K	8975000-98403K	89975001-83703K
3x2x13	364-365	89975001-83303K	8975000-98403K	89975001-83703K
	213-215	89975001-83305K	8975000-98405K	89975001-83705K
	254-256	89975001-83305K	8975000-98405K	89975001-83705K
	284-286	89975001-83305K	8975000-98405K	89975001-83705K
	324-326	89975001-83305K	8975000-98405K	89975001-83705K
	364-365	89975001-83305K	8975000-98405K	89975001-83705K
3x2x6	404-405	89975001-83305K	8975000-98405K	89975001-83705K
	56	89975001-81301K	8975000-98201K	89975001-81701K
	143-145	89975001-81301K	8975000-98201K	89975001-81701K
	182-184	89975001-81301K	8975000-98201K	89975001-81701K
3x2x8	213-215	89975001-81301K	8975000-98201K	89975001-81701K
	56	89975001-81302K	8975000-98202K	89975001-81702K
	143-145	89975001-81302K	8975000-98202K	89975001-81702K
	182-184	89975001-81302K	8975000-98202K	89975001-81702K
	213-215	89975001-81302K	8975000-98202K	89975001-81702K
	254-256	89975001-81302K	8975000-98202K	89975001-81702K
3x2x8	284-286	89975001-83302K	8975000-98402K	89975001-83702K
	324-326	89975001-83302K	8975000-98402K	89975001-83702K

PUMP SIZE	FRAME	PART NUMBER		
		H3-A	L1-A	L2-A
4x3x10	182-184	89975001-81303K	8975000-98203K	89975001-81703K
	213-215	89975001-81303K	8975000-98203K	89975001-81703K
	254-256	89975001-81303K	8975000-98203K	89975001-81703K
	284-286	89975001-83303K	8975000-98403K	89975001-83703K
	324-326	89975001-83303K	8975000-98403K	89975001-83703K
	364-365	89975001-83303K	8975000-98403K	89975001-83703K
	404-405	89975001-83303K	8975000-98403K	89975001-83703K
4x3x11.5	182-184	89975001-81304K	8975000-98204K	89975001-81704K
	213-215	89975001-81304K	8975000-98204K	89975001-81704K
	254-256	89975001-81304K	8975000-98204K	89975001-81704K
	284-286	89975001-83304K	8975000-98404K	89975001-83704K
4x3x13	213-215	89975001-83305K	8975000-98405K	89975001-83705K
	254-256	89975001-83305K	8975000-98405K	89975001-83705K
	284-286	89975001-83305K	8975000-98405K	89975001-83705K
	324-364	89975001-83305K	8975000-98405K	89975001-83705K
4x3x13L	213-215	89975001-83305K	8975000-98405K	89975001-83705K
	254-256	89975001-83305K	8975000-98405K	89975001-83705K
	284-286	89975001-83305K	8975000-98405K	89975001-83705K
	324-365	89975001-83305K	8975000-98405K	89975001-83705K
4x3x6	56	89975001-81301K	8975000-98201K	89975001-81701K
	143-145	89975001-81301K	8975000-98201K	89975001-81701K
	182-215	89975001-81301K	8975000-98201K	89975001-81701K
	254-256	89975001-83301K	8975000-98401K	89975001-83701K
	284-286	89975001-83301K	8975000-98401K	89975001-83701K
	324-326	89975001-83301K	8975000-98401K	89975001-83701K
4x3x8	56	89975001-81302K	8975000-98202K	89975001-81702K
	143-145	89975001-81302K	8975000-98202K	89975001-81702K
	182-184	89975001-81302K	8975000-98202K	89975001-81702K
	213-215	89975001-81302K	8975000-98202K	89975001-81702K
	254-256	89975001-83302K	8975000-98402K	89975001-83702K
	284-286	89975001-83302K	8975000-98402K	89975001-83702K
	324-326	89975001-83302K	8975000-98402K	89975001-83702K
5x4x10	213-215	89975001-81303K	8975000-98203K	89975001-81703K
	254-254	89975001-81303K	8975000-98203K	89975001-81703K
	256-256	89975001-83303K	8975000-98403K	89975001-83703K
	284-286	89975001-83303K	8975000-98403K	89975001-83703K
	324-326	89975001-83303K	8975000-98403K	89975001-83703K
	364-365	89975001-83303K	8975000-98403K	89975001-83703K
	404-405	89975001-83303K	8975000-98403K	89975001-83703K
5x4x11.5	213-215	89975001-81304K	8975000-98204K	89975001-81704K
	254-256	89975001-81304K	8975000-98204K	89975001-81704K
	284-286	89975001-83304K	8975000-98404K	89975001-83704K
5x4x8	143-145	89975001-81302K	8975000-98202K	89975001-81702K
	182-184	89975001-81302K	8975000-98202K	89975001-81702K
	213-215	89975001-81302K	8975000-98202K	89975001-81702K
	254-256	89975001-83302K	8975000-98402K	89975001-83702K
	284-286	89975001-83302K	8975000-98402K	89975001-83702K
	324-326	89975001-83302K	8975000-98402K	89975001-83702K
	364-365	89975001-83302K	8975000-98402K	89975001-83702K

Horizontal End Suction
Pump

PARTS LIST

24

PUMP SIZE	FRAME	PART NUMBER		
		H3-A	L1-A	L2-A
6x4x13	213-215	89975001-83305K	8975000-98405K	89975001-83705K
	254-256	89975001-83305K	8975000-98405K	89975001-83705K
	284-286	89975001-83305K	8975000-98405K	89975001-83705K
	324-326	89975001-83305K	8975000-98405K	89975001-83705K
	364-365	89975001-83305K	8975000-98405K	89975001-83705K
6x4x13H	213-215	89975001-83305K	8975000-98405K	89975001-83705K
	254-256	89975001-83305K	8975000-98405K	89975001-83705K
	284-286	89975001-83305K	8975000-98405K	89975001-83705K
	324-326	89975001-83305K	8975000-98405K	89975001-83705K
	364-365	89975001-83305K	8975000-98405K	89975001-83705K
6x4x13L	254-256	89975001-83305K	8975000-98405K	89975001-83705K
	284-286	89975001-83305K	8975000-98405K	89975001-83705K
	324-326	89975001-83305K	8975000-98405K	89975001-83705K
	364-365	89975001-83305K	8975000-98405K	89975001-83705K
6x4x8	143-145	89975001-81302K	8975000-98202K	89975001-81702K
	182-184	89975001-81302K	8975000-98202K	89975001-81702K
	213-215	89975001-81302K	8975000-98202K	89975001-81702K
	254-256	89975001-83302K	8975000-98402K	89975001-83702K
	284-286	89975001-83302K	8975000-98402K	89975001-83702K
	324-326	89975001-83302K	8975000-98402K	89975001-83702K
6x5x10	364-365	89975001-83302K	8975000-98402K	89975001-83702K
	213-215	89975001-81303K	8975000-98203K	89975001-81703K
	254-254	89975001-81303K	8975000-98203K	89975001-81703K
	256-256	89975001-83303K	8975000-98403K	89975001-83703K
	284-286	89975001-83303K	8975000-98403K	89975001-83703K
6x5x11.5	324-324	89975001-83303K	8975000-98403K	89975001-83703K
	215-215	89975001-81304K	8975000-98204K	89975001-81704K
	254-256	89975001-83304K	8975000-98404K	89975001-83704K
	284-286	89975001-83304K	8975000-98404K	89975001-83704K
6x5x13	324-326	89975001-83304K	8975000-98404K	89975001-83704K
	182-184	89975001-83305K	8975000-98405K	89975001-83705K
	213-215	89975001-83305K	8975000-98405K	89975001-83705K
	254-256	89975001-83305K	8975000-98405K	89975001-83705K
	284-286	89975001-83305K	8975000-98405K	89975001-83705K
	324-326	89975001-83305K	8975000-98405K	89975001-83705K
	364-365	89975001-83305K	8975000-98405K	89975001-83705K
404-405	89975001-83305K	8975000-98405K	89975001-83705K	
6x5x13H	182-184	89975001-83305K	8975000-98405K	89975001-83705K
	213-215	89975001-83305K	8975000-98405K	89975001-83705K
	254-256	89975001-83305K	8975000-98405K	89975001-83705K
	284-286	89975001-83305K	8975000-98405K	89975001-83705K
	324-326	89975001-83305K	8975000-98405K	89975001-83705K
	364-365	89975001-83305K	8975000-98405K	89975001-83705K
6x6x6	404-405	89975001-83305K	8975000-98405K	89975001-83705K
	143-145	89975001-81301K	8975000-98201K	89975001-81701K
	182-184	89975001-81301K	8975000-98201K	89975001-81701K
	213-215	89975001-81301K	8975000-98201K	89975001-81701K
	254-256	89975001-81301K	8975000-98201K	89975001-81701K

PUMP SIZE	FRAME	PART NUMBER		
		H3-A	L1-A	L2-A
8x6x10	215-215	89975001-83303K	8975000-98403K	89975001-83703K
	254-256	89975001-83303K	8975000-98403K	89975001-83703K
	284-286	89975001-83303K	8975000-98403K	89975001-83703K
	324-326	89975001-83303K	8975000-98403K	89975001-83703K
8x6x11.5	213-215	89975001-83304K	8975000-98404K	89975001-83704K
	254-256	89975001-83304K	8975000-98404K	89975001-83704K
	284-286	89975001-83304K	8975000-98404K	89975001-83704K
	324-326	89975001-83304K	8975000-98404K	89975001-83704K
	364-365	89975001-83304K	8975000-98404K	89975001-83704K
8x6x13	213-215	89975001-87305K	8975000-98505K	89975001-87705K
	254-256	89975001-87305K	8975000-98505K	89975001-87705K
	284-286	89975001-87305K	8975000-98505K	89975001-87705K
	324-326	89975001-87305K	8975000-98505K	89975001-87705K
	364-365	89975001-87305K	8975000-98505K	89975001-87705K
	404-405	89975001-87305K	8975000-98505K	89975001-87705K
8x6x13L	213-215	89975001-87305K	8975000-98505K	89975001-87705K
	254-256	89975001-87305K	8975000-98505K	89975001-87705K
	284-286	89975001-87305K	8975000-98505K	89975001-87705K
	324-326	89975001-87305K	8975000-98505K	89975001-87705K
	364-365	89975001-87305K	8975000-98505K	89975001-87705K
	404-405	89975001-87305K	8975000-98505K	89975001-87705K
8x6x15	284-286	89975001-87306K	8975000-98506K	89975001-87706K
	324-326	89975001-87306K	8975000-98506K	89975001-87706K
	364-365	89975001-87306K	8975000-98506K	89975001-87706K
	404-405	89975001-87306K	8975000-98506K	89975001-87706K
	444-445	89975001-87306K	8975000-98506K	89975001-87706K
	447-449	89975001-87306K	8975000-98506K	89975001-87706K
8x8x8	143-145	89975001-81302K	8975000-98202K	89975001-81702K
	182-184	89975001-81302K	8975000-98202K	89975001-81702K
	213-215	89975001-83302K	8975000-98402K	89975001-83702K
	254-256	89975001-83302K	8975000-98402K	89975001-83702K
	284-286	89975001-83302K	8975000-98402K	89975001-83702K

CANADA, US

APPLICATION GUIDE						
Fluid	<200F			>200F		
	<=2000PPM	>2000PPM	>4000PPM	<=2000PPM	>2000PPM	>4000PPM
Potable Water	L1-A	No potable water for this application				
Non-Potable Water	L1-A	L2-A	NCP	H3-A	L2-A	NCP
Glycol > 30%	L2-A	NCP	NCP	L2-A	L2-A	NCP
All Other	L1-A	L2-A	NCP	H3-A	L2-A	NCP

4280 KIT PART NUMBERS

PUMP SIZE	FRAME	PART NUMBER		
		H3-A	L1-A	L2-A
1.5x1x6	56	89975001-81301K	8975000-98201K	89975001-81701K
	143-184	89975001-81301K	8975000-98201K	89975001-81701K
	213-215	89975001-81301K	8975000-98201K	89975001-81701K
1.5x1x8	56	89975001-81302K	8975000-98202K	89975001-81702K
	143-184	89975001-81302K	8975000-98202K	89975001-81702K
	213-215	89975001-83302K	8975000-98402K	89975001-83702K
	254-256	89975001-83302K	8975000-98402K	89975001-83702K
2x1x10	143-184	89975001-81303K	8975000-98203K	89975001-81703K
	213-215	89975001-83303K	8975000-98403K	89975001-83703K
	254-256	89975001-83303K	8975000-98403K	89975001-83703K
	284-326	89975001-83303K	8975000-98403K	89975001-83703K
3x1.5x10	143-184	89975001-81303K	8975000-98203K	89975001-81703K
	213-215	89975001-83303K	8975000-98403K	89975001-83703K
	254-256	89975001-83303K	8975000-98403K	89975001-83703K
	284-326	89975001-83303K	8975000-98403K	89975001-83703K
3x1.5x13	213-215	89975001-83305K	8975000-98405K	89975001-83705K
	254-256	89975001-83305K	8975000-98405K	89975001-83705K
	284-326	89975001-83305K	8975000-98405K	89975001-83705K
3x1.5x6	56	89975001-81301K	8975000-98201K	89975001-81701K
	143-184	89975001-81301K	8975000-98201K	89975001-81701K
	213-215	89975001-81301K	8975000-98201K	89975001-81701K
3x1.5x8	56	89975001-81302K	8975000-98202K	89975001-81702K
	143-184	89975001-81302K	8975000-98202K	89975001-81702K
	213-215	89975001-83302K	8975000-98402K	89975001-83702K
	254-256	89975001-83302K	8975000-98402K	89975001-83702K
	284-326	89975001-83302K	8975000-98402K	89975001-83702K
3x2.5x10	143-184	89975001-81303K	8975000-98203K	89975001-81703K
	213-215	89975001-83303K	8975000-98403K	89975001-83703K
	254-256	89975001-83303K	8975000-98403K	89975001-83703K
	284-326	89975001-83303K	8975000-98403K	89975001-83703K
3x2.5x6	56	89975001-81301K	8975000-98201K	89975001-81701K
	143-184	89975001-81301K	8975000-98201K	89975001-81701K
	213-215	89975001-81301K	8975000-98201K	89975001-81701K
	254-256	89975001-83301K	8975000-98401K	89975001-83701K
3x2.5x8	56	89975001-81302K	8975000-98202K	89975001-81702K
	143-184	89975001-81302K	8975000-98202K	89975001-81702K
	213-215	89975001-83302K	8975000-98402K	89975001-83702K
	254-256	89975001-83302K	8975000-98402K	89975001-83702K
	284-326	89975001-83302K	8975000-98402K	89975001-83702K
3x2x10	143-184	89975001-81303K	8975000-98203K	89975001-81703K
	213-215	89975001-83303K	8975000-98403K	89975001-83703K
	254-256	89975001-83303K	8975000-98403K	89975001-83703K
	284-326	89975001-83303K	8975000-98403K	89975001-83703K
3x2x13	213-215	89975001-83305K	8975000-98405K	89975001-83705K
	254-256	89975001-83305K	8975000-98405K	89975001-83705K
	284-326	89975001-83305K	8975000-98405K	89975001-83705K
3x2x6	56	89975001-81301K	8975000-98201K	89975001-81701K
	143-184	89975001-81301K	8975000-98201K	89975001-81701K
	213-215	89975001-81301K	8975000-98201K	89975001-81701K

PUMP SIZE	FRAME	PART NUMBER		
		H3-A	L1-A	L2-A
3x2x8	56	89975001-81302K	8975000-98202K	89975001-81702K
	143-184	89975001-81302K	8975000-98202K	89975001-81702K
	213-215	89975001-83302K	8975000-98402K	89975001-83702K
	254-256	89975001-83302K	8975000-98402K	89975001-83702K
	284-326	89975001-83302K	8975000-98402K	89975001-83702K
4x3x10	143-184	89975001-81303K	8975000-98203K	89975001-81703K
	213-215	89975001-83303K	8975000-98403K	89975001-83703K
	254-256	89975001-83303K	8975000-98403K	89975001-83703K
4x3x11.5	143-184	89975001-81304K	8975000-98204K	89975001-81704K
	213-215	89975001-83304K	8975000-98404K	89975001-83704K
	254-256	89975001-83304K	8975000-98404K	89975001-83704K
	284-284	89975001-83304K	8975000-98404K	89975001-83704K
4x3x13	213-215	89975001-83305K	8975000-98405K	89975001-83705K
	254-256	89975001-83305K	8975000-98405K	89975001-83705K
	284-326	89975001-83305K	8975000-98405K	89975001-83705K
4x3x13L	213-215	89975001-83305K	8975000-98405K	89975001-83705K
	254-256	89975001-83305K	8975000-98405K	89975001-83705K
	284-326	89975001-83305K	8975000-98405K	89975001-83705K
4x3x6	56	89975001-81301K	8975000-98201K	89975001-81701K
	143-215	89975001-81301K	8975000-98201K	89975001-81701K
	254-256	89975001-83301K	8975000-98401K	89975001-83701K
4x3x8	56	89975001-81302K	8975000-98202K	89975001-81702K
	143-184	89975001-81302K	8975000-98202K	89975001-81702K
	213-215	89975001-83302K	8975000-98402K	89975001-83702K
	254-256	89975001-83302K	8975000-98402K	89975001-83702K
	284-326	89975001-83302K	8975000-98402K	89975001-83702K
5x4x10	213-215	89975001-83303K	8975000-98403K	89975001-83703K
	254-256	89975001-83303K	8975000-98403K	89975001-83703K
	284-326	89975001-83303K	8975000-98403K	89975001-83703K
5x4x11.5	213-215	89975001-83304K	8975000-98404K	89975001-83704K
	254-256	89975001-83304K	8975000-98404K	89975001-83704K
	284-286	89975001-83304K	8975000-98404K	89975001-83704K
	284-326	89975001-83304K	8975000-98404K	89975001-83704K
5x4x8	143-184	89975001-81302K	8975000-98202K	89975001-81702K
	213-215	89975001-83302K	8975000-98402K	89975001-83702K
	254-256	89975001-83302K	8975000-98402K	89975001-83702K
	284-326	89975001-83302K	8975000-98402K	89975001-83702K
6x4x13	213-215	89975001-83305K	8975000-98405K	89975001-83705K
	254-256	89975001-83305K	8975000-98405K	89975001-83705K
	284-326	89975001-83305K	8975000-98405K	89975001-83705K
6x4x13H	213-215	89975001-83305K	8975000-98405K	89975001-83705K
	254-256	89975001-83305K	8975000-98405K	89975001-83705K
	284-326	89975001-83305K	8975000-98405K	89975001-83705K
6x4x13L	213-215	89975001-83305K	8975000-98405K	89975001-83705K
	254-256	89975001-83305K	8975000-98405K	89975001-83705K
	284-326	89975001-83305K	8975000-98405K	89975001-83705K
6x4x8	143-184	89975001-81302K	8975000-98202K	89975001-81702K
	213-215	89975001-83302K	8975000-98402K	89975001-83702K
	254-256	89975001-83302K	8975000-98402K	89975001-83702K
	284-326	89975001-83302K	8975000-98402K	89975001-83702K
6x5x10	213-215	89975001-83303K	8975000-98403K	89975001-83703K
	254-256	89975001-83303K	8975000-98403K	89975001-83703K
	284-326	89975001-83303K	8975000-98403K	89975001-83703K

PUMP SIZE	FRAME	PART NUMBER		
		H3-A	L1-A	L2-A
6x5x11.5	254-256	89975001-83304K	8975000-98404K	89975001-83704K
	284-326	89975001-83304K	8975000-98404K	89975001-83704K
6x5x13	213-215	89975001-83305K	8975000-98405K	89975001-83705K
	254-256	89975001-83305K	8975000-98405K	89975001-83705K
	284-326	89975001-83305K	8975000-98405K	89975001-83705K
6x5x13H	213-215	89975001-83305K	8975000-98405K	89975001-83705K
	254-256	89975001-83305K	8975000-98405K	89975001-83705K
	284-326	89975001-83305K	8975000-98405K	89975001-83705K
6x6x6	143-215	89975001-81301K	8975000-98201K	89975001-81701K
8x6x10	254-256	89975001-83303K	8975000-98403K	89975001-83703K
	284-326	89975001-83303K	8975000-98403K	89975001-83703K
8x6x11.5	254-256	89975001-83304K	8975000-98404K	89975001-83704K
	284-326	89975001-83304K	8975000-98404K	89975001-83704K
8x6x13	213-215	89975001-83305K	8975000-98405K	89975001-83705K
	254-256	89975001-83305K	8975000-98405K	89975001-83705K
	284-326	89975001-83305K	8975000-98405K	89975001-83705K
8x6x13L	213-215	89975001-83305K	8975000-98405K	89975001-83705K
	254-256	89975001-83305K	8975000-98405K	89975001-83705K
	284-326	89975001-83305K	8975000-98405K	89975001-83705K
8x8x8	182-184	89975001-81302K	8975000-98202K	89975001-81702K
	213-215	89975001-83302K	8975000-98402K	89975001-83702K
	254-256	89975001-83302K	8975000-98402K	89975001-83702K

CANADA, US

APPLICATION GUIDE						
Fluid	<200F			>200F		
	<=2000PPM	>2000PPM	>4000PPM	<=2000PPM	>2000PPM	>4000PPM
Potable Water	L1-A	No potable water for this application				
Non-Potable Water	L1-A	L2-A	NCP	H3-A	L2-A	NCP
Glycol > 30%	L2-A	NCP	NCP	L2-A	L2-A	NCP
All Other	L1-A	L2-A	NCP	H3-A	L2-A	NCP

4030 BEARING HOUSING/FRAME PARTS KIT

4030-SMALL BEARING FRAME (FITS-1¼" MECHANICAL SEAL)

PUMP SIZE	1150 RPM	1750 RPM	3500 RPM	GREASE	GREASE	RE-GREASE	RE-GREASE	OIL	OIL
	HP			STEEL	STAINLESS STEEL	STEEL	STAINLESS STEEL	STEEL	STAINLESS STEEL
1.5x1x6	up to 5	up to 10	up to 15	826768-000	826768-071	826769-000	826769-071	826770-000	826770-071
3x1.5x6	up to 7.5	up to 15	up to 20	826768-000	826768-071	826769-000	826769-071	826770-000	826770-071
3x2x6	up to 7.5	up to 15	up to 20	826768-000	826768-071	826769-000	826769-071	826770-000	826770-071
3x2.5x6	up to 7.5	up to 15	up to 20	826768-000	826768-071	826769-000	826769-071	826770-000	826770-071
4x3x6	up to 5	up to 10	up to 15	826768-000	826768-071	826769-000	826769-071	826770-000	826770-071
6x6x6	up to 5	up to 10	up to 15	826768-000	826768-071	826769-000	826769-071	826770-000	826770-071
1.5x1x8	up to 10	up to 20	up to 25	826768-000	826768-071	826769-000	826769-071	826770-000	826770-071
3x1.5x8	up to 10	up to 20	up to 25	826768-000	826768-071	826769-000	826769-071	826770-000	826770-071
3x2x8	up to 10	up to 20	up to 25	826768-000	826768-071	826769-000	826769-071	826770-000	826770-071
3x2.5x8	up to 5	up to 10	up to 15	826768-000	826768-071	826769-000	826769-071	826770-000	826770-071
4x3x8†	up to 5	up to 0	up to 15	826768-000	826768-071	826769-000	826769-071	826770-000	826770-071
5x4x8W	up to 5	up to 10	up to 10	826768-000	826768-071	826769-000	826769-071	826770-000	826770-071
6x4x8W	up to 5	up to 10	up to 10	826768-000	826768-071	826769-000	826769-071	826770-000	826770-071
6x5x8	up to 5	up to 10	up to 10	826768-000	826768-071	826769-000	826769-071	826770-000	826770-071
8x8x8	up to 2	up to 5	up to 7.5	826768-000	826768-071	826769-000	826769-071	826770-000	826770-071
2x1x10	up to 5	up to 10	up to 15	826768-000	826768-071	826769-000	826769-071	826770-000	826770-071
2x1.5x10	up to 5	up to 10	up to 15	826768-000	826768-071	826769-000	826769-071	826770-000	826770-071
3x1.5x10	up to 5	up to 10	up to 15	826768-000	826768-071	826769-000	826769-071	826770-000	826770-071
3x2x10	up to 5	up to 10	up to 15	826768-000	826768-071	826769-000	826769-071	826770-000	826770-071
3x2.5x10	up to 5	up to 10	up to 15	826768-000	826768-071	826769-000	826769-071	826770-000	826770-071
4x3x10	up to 5	up to 10	up to 15	826768-000	826768-071	826769-000	826769-071	826770-000	826770-071
5x4x10	up to 5	up to 10	up to 15	826768-000	826768-071	826769-000	826769-071	826770-000	826770-071
5x4x10††	up to 5	up to 10	up to 15	826768-000	826768-071	826769-000	826769-071	826770-000	826770-071
6x4x10	up to 5	up to 10	up to 15	826768-000	826768-071	826769-000	826769-071	826770-000	826770-071
6x5x10	up to 5	up to 10	up to 15	826768-000	826768-071	826769-000	826769-071	826770-000	826770-071
8x6x10W	N/A	N/A	N/A	826768-000	826768-071	826769-000	826769-071	826770-000	826770-071
4x3x11.5	up to 10	up to 20	up to 25	826768-000	826768-071	826769-000	826769-071	826770-000	826770-071
5x4x11.5	up to 10	up to 20	up to 25	826768-000	826768-071	826769-000	826769-071	826770-000	826770-071
6x5x11.5	up to 5	up to 10	up to 15	826768-000	826768-071	826769-000	826769-071	826770-000	826770-071
8x6x11.5	up to 5	up to 10	up to 15	826768-000	826768-071	826769-000	826769-071	826770-000	826770-071

NOTE:

- † Updated with new design
- †† Replaced model

4030-MEDIUM BEARING FRAME (FITS-1 5/8" MECHANICAL SEAL)

PUMP SIZE	1150 RPM	1750 RPM	3500 RPM	GREASE	GREASE	RE-GREASE	RE-GREASE	OIL	OIL
	HP			STEEL	STAINLESS STEEL	STEEL	STAINLESS STEEL	STEEL	STAINLESS STEEL
4x3x6	7.5 to 10	15 to 20	20 to 40	826771-000	826771-071	N/A	N/A	826773-000	826773-071
3x1.5x8	-	-	30 to 40	826771-000	826771-071	N/A	N/A	826773-000	826773-071
3x2x8	-	-	30 to 40	826771-000	826771-071	N/A	N/A	826773-000	826773-071
3x2.5x8	7.5 to 10	15 to 20	20 to 60	826771-000	826771-071	N/A	N/A	826773-000	826773-071
4x3x8†	7.5 to 10	15 to 20	20 to 25	826771-000	826771-071	N/A	N/A	826773-000	826773-071
5x4x8W	7.5 to 10	15 to 20	20 to 25	826771-000	826771-071	N/A	N/A	826773-000	826773-071
6x4x8W	7.5 to 10	15 to 20	20 to 25	826771-000	826771-071	N/A	N/A	826773-000	826773-071
6x5x8	7.5 to 10	15 to 20	20 to 25	826771-000	826771-071	N/A	N/A	826773-000	826773-071
8x8x8	7.5 to 10	15 to 20	20 to 25	826771-000	826771-071	N/A	N/A	826773-000	826773-071
2x1x10	7.5 to 10	-	20 to 60	826771-000	826771-071	N/A	N/A	826773-000	826773-071
2x1.5x10	7.5 to 10	-	20 to 60	826771-000	826771-071	N/A	N/A	826773-000	826773-071
3x1.5x10	7.5 to 10	-	20 to 60	826771-000	826771-071	N/A	N/A	826773-000	826773-071
3x2x10	7.5 to 10	-	20 to 100	826771-000	826771-071	N/A	N/A	826773-000	826773-071
3x2.5x10	7.5 to 10	-	20 to 150	826771-000	826771-071	N/A	N/A	826773-000	826773-071
5x4x10	10 to 20	20 to 30	25	826771-000	826771-071	N/A	N/A	826773-000	826773-071
5x4x10††	10 to 20	20 to 30	25	826771-000	826771-071	N/A	N/A	826773-000	826773-071
6x4x10	10 to 20	20 to 30	25	826771-000	826771-071	N/A	N/A	826773-000	826773-071
6x5x10	10 to 30	20 to 50	-	826771-000	826771-071	N/A	N/A	826773-000	826773-071
8x6x10W	3 to 30	7.5 to 50	10 to 25	826771-000	826771-071	N/A	N/A	826773-000	826773-071
4x3x11.5	15 to 20	25 to 30	-	826771-000	826771-071	N/A	N/A	826773-000	826773-071
5x4x11.5	15 to 20	25 to 30	-	826771-000	826771-071	N/A	N/A	826773-000	826773-071
6x5x11.5	7.5 to 30	15 to 50	20 to 25	826771-000	826771-071	N/A	N/A	826773-000	826773-071
8x6x11.5	3 to 50	7.5 to 75	10 to 25	826771-000	826771-071	N/A	N/A	826773-000	826773-071
3x1.5x13	3 to 10	7.5 to 20	10 to 25	826771-000	826771-071	N/A	N/A	826773-000	826773-071
3x2x13	3 to 20	7.5 to 30	10 to 25	826771-000	826771-071	N/A	N/A	826773-000	826773-071
4x3x13†	3 to 30	7.5 to 50	10 to 25	826771-000	826771-071	N/A	N/A	826773-000	826773-071
4x3x13L*	3 to 30	7.5 to 50	10 to 25	826771-000	826771-071	N/A	N/A	826773-000	826773-071
6x4x13* ‡	7.5 to 50	15 to 75	20 to 25	826771-000	826771-071	N/A	N/A	826773-000	826773-071
6x4x13	3 to 50	7.5 to 75	10 to 25	826771-000	826771-071	N/A	N/A	826773-000	826773-071
6x4x13H	7.5 to 50	15 to 75	15 to 25	826771-000	826771-071	N/A	N/A	826773-000	826773-071
6x5x13	3 to 75	7.5 to 125	10 to 25	826771-000	826771-071	N/A	N/A	826773-000	826773-071
6x5x13H	3 to 75	7.5 to 125	10 to 25	826771-000	826771-071	N/A	N/A	826773-000	826773-071
8x6x13L* ‡	3 to 75	7.5 to 75	10 to 25	826771-000	826771-071	N/A	N/A	826773-000	826773-071

NOTE:
 * Oil Lubricated Bearings
 † Updated with new design
 †† Replaced model
 ‡ Discontinued model

4030-MEDIUM HEAVY-DUTY BEARING FRAME (FITS-1⁵/₈" MECHANICAL SEAL)

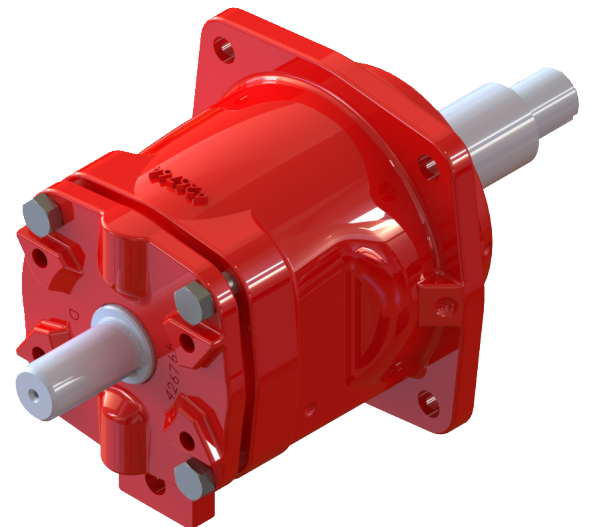
PUMP SIZE	1150 RPM	1750 RPM	3500 RPM	GREASE	GREASE	RE-GREASE	RE-GREASE	OIL	OIL
	HP			STEEL	STAINLESS STEEL	STEEL	STAINLESS STEEL	STEEL	STAINLESS STEEL
4x3x8 [†]	–	–	30 to 60	N/A	N/A	827816-000	827816-071	N/A	N/A
5x4x8W	–	60 to 75	30 to 100	N/A	N/A	827816-000	827816-071	N/A	N/A
6x4x8W	–	60 to 75	30 to 100	N/A	N/A	827816-000	827816-071	N/A	N/A
4x3x10	–	60 to 125	30 to 150	N/A	N/A	827816-000	827816-071	N/A	N/A
5x4x10	–	60 to 125	30 to 150	N/A	N/A	827816-000	827816-071	N/A	N/A
6x4x10	–	60 to 125	30 to 150	N/A	N/A	827816-000	827816-071	N/A	N/A
3x1.5x13	–	60 to 125	30 to 150	N/A	N/A	827816-000	827816-071	N/A	N/A
3x2x13	–	60 to 125	50 to 150	N/A	N/A	827816-000	827816-071	N/A	N/A

4030-MEDIUM X HEAVY-DUTY BEARING FRAME (FITS-1⁵/₈" MECHANICAL SEAL)

PUMP SIZE	1150 RPM	1750 RPM	3500 RPM	GREASE	GREASE	RE-GREASE	RE-GREASE	OIL	OIL
	HP			STEEL	STAINLESS STEEL	STEEL	STAINLESS STEEL	STEEL	STAINLESS STEEL
5x4x10 ^{††}	–	60 to 150	30 to 200	N/A	N/A	N/A	N/A	827819-000	827819-071
8x6x13	3 to 50	7.5 to 75	10 to 25	N/A	N/A	N/A	N/A	827819-000	827819-071

4030-LARGE BEARING FRAME (FITS 2¹/₈" MECHANICAL SEAL)

PUMP SIZE	1150 RPM	1750 RPM	3500 RPM	GREASE	GREASE	RE-GREASE	RE-GREASE	OIL	OIL
	HP			STEEL	STAINLESS STEEL	STEEL	STAINLESS STEEL	STEEL	STAINLESS STEEL
10x8x13	15 to 150	25 to 250	300	N/A	N/A	N/A	N/A	826775-000	826775-071
8x6x15	15 to 200	25 to 300	–	N/A	N/A	N/A	N/A	826775-000	826775-071
10x8x15	15 to 200	25 to 300	–	N/A	N/A	N/A	N/A	826775-000	826775-071



NOTE:

- † Updated with new design
- †† Replaced model

STANDARD ODP MOTOR FRAME SIZE, RPM AND HP FOR SELECTION OF BEARING HOUSING

ODP MOTOR FRAME	1150 RPM	1750 RPM	3500 RPM
	HP		
56	0.5	0.75	—
143T	0.75	1	1.5
145T	1	1.5 & 2	2 & 3
182T	1.5	3	5
184T	2	5	7.5
213T	3	7.5	10
215T	5	10	15
254T	7.5	15	20
256T	10	20	25
284TS	—	—	30
286TS	—	—	40
284T	15	25	—
286T	20	30	—
324TS	—	—	50
326TS	—	—	60
324T	25	40	—
326T	30	50	—

ODP MOTOR FRAME	1150 RPM	1750 RPM	3500 RPM
	HP		
364TS	—	60	75
365TS	—	75	100
364T	40	60	—
365T	50	75	—
404TS	—	100	125
405TS	—	125	150
404T	60	100	—
405T	75	125	—
444TS	—	150	200
445TS	—	200	250
444T	100	150	—
445T	125	200	—
447TS	—	250	300
447T	150	250	—
449TS	—	300	350
449T	200	300	—

TORONTO

+1 416 755 2291

BUFFALO

+1 716 693 8813

DROITWICH SPA

+44 121 550 5333

MANCHESTER

+44 161 223 2223

BANGALORE

+91 80 4906 3555

SHANGHAI

+86 21 5237 0909

BEIJING

+86 21 5237 0909

SÃO PAULO

+55 11 4785 1330

LYON

+33 4 26 83 78 74

DUBAI

+971 4 887 6775

MANNHEIM

+49 621 3999 9858

JIMBOLIA

+40 256 360 030

FOR SERVICE RELATED PARTS & KITS

Use ADEPT Select to quickly and easily select.

Visit adept.armstrongfluidtechnology.com to learn more

FOR MORE INFORMATION,

Contact your Armstrong Representative or visit us at
ArmstrongFluidTechnology.com/ContactUs