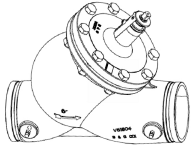


JOB:	REPRESENTATIVE:	
UNIT TAG:	ORDER NO.	DATE:
ENGINEER:	SUBMITTED BY:	DATE:
CONTRACTOR:	APPROVED BY:	DATE:



Circuit Setter®

Calibrated Balance Valves with Grooved Connections

DESCRIPTION

The Bell & Gossett Circuit Setter calibrated balance valve is a precision machined triple purpose balancing instrument. It is precisely calibrated for use as a presettable balance valve, variable orifice flow meter and positive shut-off service valve.

Valves are furnished with a calibrated nameplate and memory stop indicator which permits the value to be preset to a fixed open position and then closed for service without disturbing valve setting.

Valves are equipped with capped readout valves fitted with internal check valves.

MAXIMUM OPERATING TEMPERATURE

250°F (121°C)

MAXIMUM WORKING PRESSURE

300 PSIG (2068 kPa)

Sizes 4"-12"

- Body & Bonnet - Grooved: Ductile Iron
- Disc: 4" - 8" Brass with EPDM Insert
10" - 12" Stainless Steel with EPDM Insert
- Stern: Stainless Steel
- Packing: Teflon-Graphite (Asbestos-Free)
- Gasket: Synthetic Fiber - Nitrile Binder (Asbestos-Free)
- Seal Ring: EPDM
- Bushing: Nickel Plated Steel

TYPICAL SPECIFICATION

Furnish and install as shown on plans and with manufacturer's recommendations Model CB calibrated balance valves.

PRE-SET BALANCE FEATURE

Valves to be designed to allow installing contractor to pre-set balance points for proportional system balance prior to system start-up in accordance with pre-set balance schedule.

VALVE DESIGN AND CONSTRUCTION

Valves shall be of heavy-duty ductile iron {grooved} construction with connections suitable up to 300 psi working pressure. Valves 4" - 12" shall be fitted with a bronze seat, replaceable bronze disc with EPDM seal insert, and stainless steel stem.

DESIGN PRESSURE/TEMPERATURE

300 psig at 250°F

All balance valves to be ITT Bell & Gossett Model No. CB-_____ (note sizes)

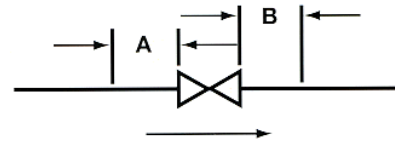
IMPORTANT

When monitoring system flow, care must be exercised to avoid direct skin or eye contact with liquids that may escape. Liquids with temperatures in excess of 120°F (49°C) may cause burns.

Bell & Gossett Circuit Setter Balance Valves are not recommended for use with meter connections pointing downward.

To retain calibrated accuracy, a minimum length of unrestricted straight pipe adjacent to the valve should be maintained as follows:

SIZE INCHES (mm)	UPSTREAM "A" (In Pipe Diameters)	DOWNSTREAM "B" (In Pipe Diameters)
4"-12" (101.6-304.8)	5	2

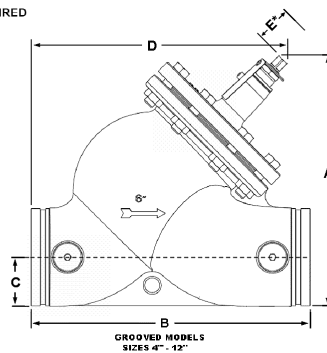


Best use results maximize straight pipe length entering and leaving valve. Obstructions or changes in planar flow profiles entering valve may affect accuracy if too close to valve.

CIRCUIT SETTER CALIBRATED BALANCE VALVES

A-547J

*DISTANCE REQUIRED
TO DISASSEMBLE
(VALVE CLOSED)



DIMENSIONS AND WEIGHTS*

DIMENSIONS IN INCHES (MM)

MODEL NO.	PIPE SIZE	CONNS.	A		B	C	D		E	F	MAX. WIDTH OF VALVE	WEIGHT IN LBS. (Kg)
			OPEN	CLOSED			OPEN	CLOSED				
CB-4G	4 (101.6)	GRVD.	14-5/8 (371.5)	13-5/8 (346.1)	15-1/8 (384.2)	2-1/4 (57.2)	15-11/16 (424.0)	13-15/16 (354.0)	6-1/4 (158.8)	-	9 (228.6)	70 (32)
CB-5G	5 (127)	GRVD.	16-9/32 (413.5)	15-1/32 (407.2)	17-1/8 (435.0)	2-25/32 (70.6)	17-11/32 (440.5)	15-9/16 (395.3)	6-7/8 (174.6)	-	10 (254.0)	86 (39)
CB-6G	6 (152.4)	GRVD.	18-9/16 (471.5)	17-1/16 (433.4)	19 (482.6)	3-5/16 (84.1)	19-1/2 (495.3)	17-13/32 (442.1)	8-1/4 (209.6)	-	11 (279.4)	160 (73)
CB-8G	8 (203.2)	GRVD.	22-5/16 (566.7)	20-13/16 (528.6)	22-1/2 (571.5)	4-5/16 (109.5)	22-3/8 (568.3)	20-5/16 (516.0)	10-3/8 (263.5)	-	14-1/4 (362.0)	270 (123)
CB-10G	10 (254)	GRVD.	26-1/4 (666.8)	23-7/8 (606.4)	26-1/2 (673.1)	5-3/8 (136.5)	26-1/32 (661.2)	23-3/16 (589.0)	12-1/4 (311.2)	-	17 (431.8)	384 (174)
CB-12G	12 (304.8)	GRVD.	30-3/8 (771.5)	28 (711.2)	31 (787.4)	6-3/8 (161.9)	30-7/16 (773.1)	26-15/16 (684.2)	14-1/2 (368.3)	-	20 (508.0)	546 (248)

All dimensions are +/- 0.125" (3.2 mm) tolerance. Dimensions are subjected to change. Not to be used for construction purposes unless certified.

SCHEDULE

MODEL NO.	PART NO.	TAGGING INFORMATION	QUANTITY
CB-4G	117476		
CB-5G	117477		
CB-6G	117478		
CB-8G	117479		
CB-10G	117641		
CB-12G	117642		

Xylem Inc.
8200 N. Austin Avenue
Morton Grove, IL 60053
Phone: (847)966-3700
Fax: (847)965-8379
www.xylem.com/brands/bellgossett

xylem
Let's Solve Water

Bell & Gossett is a trademark of Xylem Inc. or one of its subsidiaries.
© 2018 Xylem Inc.