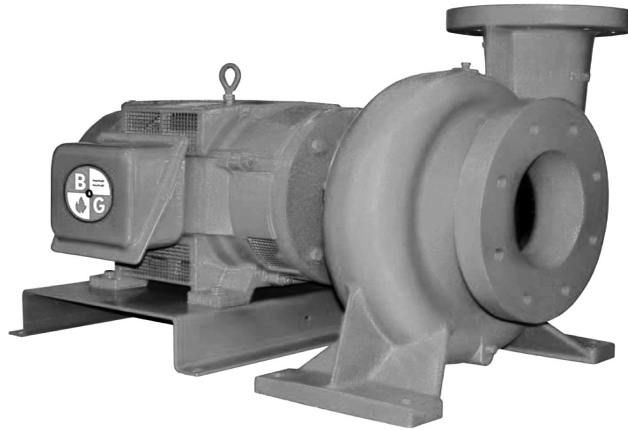


Series e-1532

REPLACEMENT PARTS

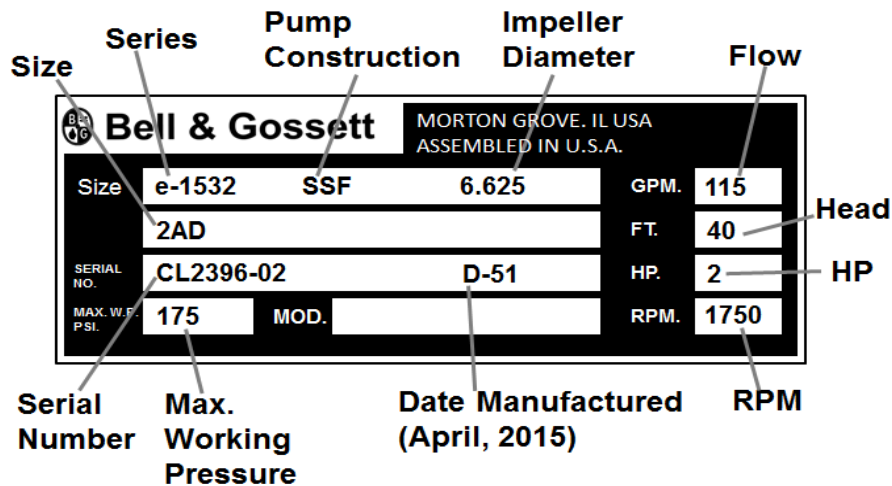




Index

| | |
|---|----|
| Nameplate Data | 3 |
| Exploded Views | 4 |
| Motor Frame Size Selection Chart | 6 |
| | |
| Standard Configuration (STD, -F) | |
| 1.25AD, 1.5AD, 2AD, 2.5AC, 3AD, 4AD, 5A | 7 |
| 1.25BC, 1.5BC, 2BD, 2.5BB, 3BD, 4BD, 5BD, 6BD | 8 |
| 2EB, 3EB, 4EB, 5EB, 6E | 9 |
| 2GB, 3GB, 4GC, 5GB, 6G, 8GB..... | 10 |
| | |
| Stuffing Box Configuration (-S, -PF) | |
| 1.25AD, 1.5AD, 2AD, 2.5AC, 3AD, 4AD, 5A | 11 |
| 1.25BC, 1.5BC, 2BD, 2.5BB, 3BD, 4BD, 5BD, 6BD | 12 |
| 2EB, 3EB, 4EB, 5EB, 6E | 13 |

Nameplate Data



The pump nameplate identifies the pump by pipe size, pump construction and impeller diameter as shown above. In this example, the nameplate shows a Series e-1532, size 5GB in stainless steel fitted (SSF) construction. The impeller diameter is 12.15" and the motor is 50 HP, 1800 RPM synchronous speed. The serial number specifically identifies the pump for future reference.

DO NOT REMOVE THE NAMEPLATE. It is important when ordering replacement parts to furnish complete nameplate data.

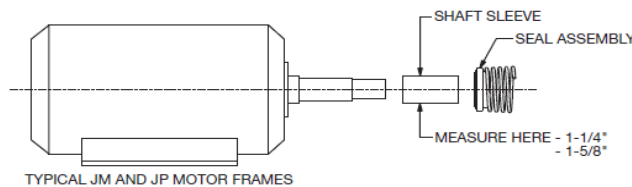
The Series e-1532 pump is furnished in either a "Standard Seal" or "Stuffing Box" construction. The "Standard Seal" pump has no seal designation after the size.

The "Stuffing Box" model has two positive seal configurations:

- e-1532-S Single Seal**
- e-1532-PF Packing Rings**

To ensure the correct parts are selected, use the following procedure:

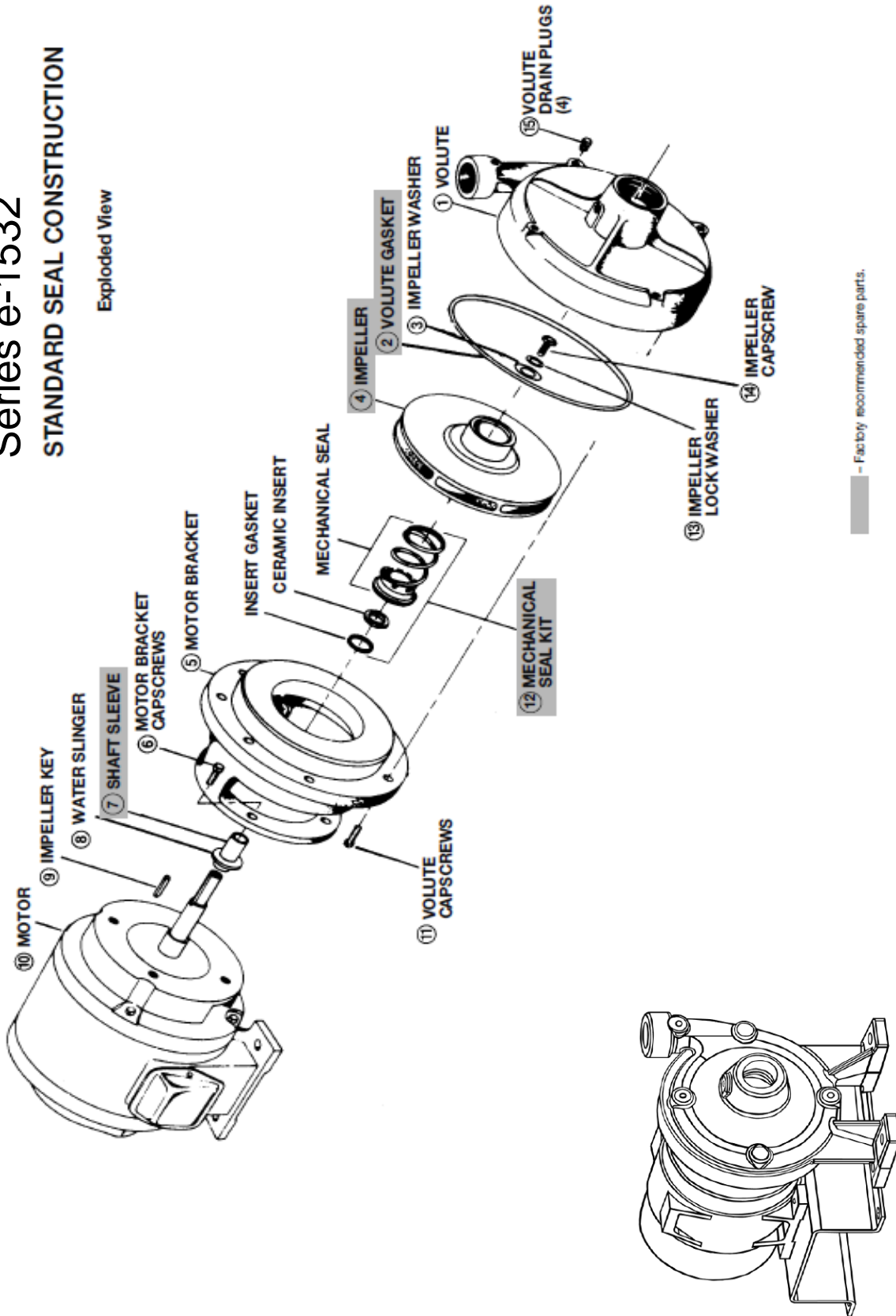
1. Determine from the nameplate the pump size, seal configuration, pump construction and impeller diameter.
2. Measure shaft sleeve diameter at the seal.



3. Refer to index for the page number of the parts breakdown for the specific size pump.
4. Find the proper column in the parts breakdown for the pump construction involved.
5. Select part numbers using the exploded view numbered drawing for identification. Where shaft diameter affects parts selection, use the measurement secured in Step 2.
6. Motor brackets vary with motor frame sizes. Use the motor frame number (found on the motor nameplate) to select the proper motor bracket. Consult the Motor Frame Selection Chart if additional information is needed. Supply complete motor nameplate data when ordering replacement motors.

Series e-1532 STANDARD SEAL CONSTRUCTION

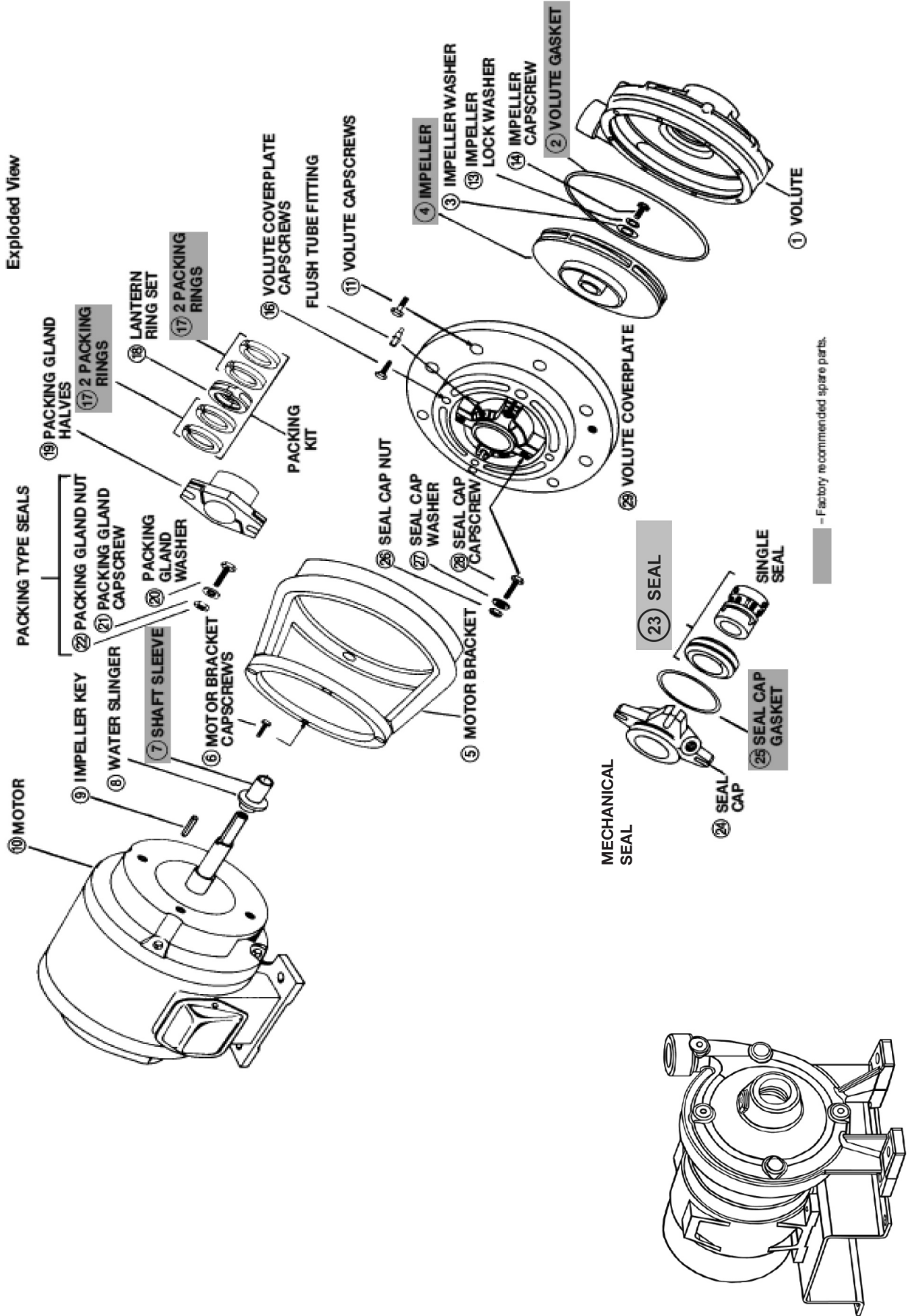
Exploded View



— Factory recommended spare parts.

Series e-1532

OPTIONAL STUFFING BOX CONSTRUCTION



Typical Motor Frame Size Selection Chart ODP and TEFC

| 3 PH MOTOR FRAME SELECTION | | | | | | |
|----------------------------|------|------|------|------|------|------|
| HP | ODP | | | TEFC | | |
| | 3600 | 1800 | 1200 | 3600 | 1800 | 1200 |
| 0.75 | — | — | 145 | — | — | 145 |
| 1 | — | 143 | 145 | — | 143 | 145 |
| 1.5 | 143 | 145 | 182 | 143 | 145 | 182 |
| 2 | 145 | 145 | 184 | 145 | 145 | 184 |
| 3 | 145 | 182 | 213 | 182 | 182 | 213 |
| 5 | 182 | 184 | 215 | 184 | 184 | 215 |
| 7.5 | 184 | 213 | 254 | 213 | 213 | 254 |
| 10 | 213 | 215 | 256 | 215 | 215 | 256 |
| 15 | 215 | 254 | 284 | 254 | 254 | 284 |
| 20 | 254 | 256 | 286 | 256 | 256 | 286 |
| 25 | 256 | 284 | 324 | 284 | 284 | 324 |
| 30 | 284 | 286 | 326 | 286 | 286 | 326 |
| 40 | 286 | 324 | — | 324 | 324* | — |
| 50 | 324 | 326 | — | 326 | 326 | — |
| 60 | 326 | — | — | — | — | — |

NOTES: (a) 1PH motors are typically one frame size larger than shown.

| ITEM | DESCRIPTION (QTY) | 1.25AD | 1.5AD | 2AD | 2.5AC | 3AD | 4AD | 5A |
|--|---|---------------|----------|----------|----------|----------|----------|----------|
| STANDARD CONFIGURATION (STD, -F) | | | | | | | | |
| 1 | Volute | P2000822 | P2000838 | P2000852 | P2000848 | P2000856 | P2000832 | P43663 |
| | Volute with Stainless Steel Wear Ring | P2000899 | P2000900 | P2001194 | P2000901 | P2000902 | P2000904 | P2001642 |
| | Stainless Steel Wear Ring | P2001179 | P2001180 | P2001195 | P2001181 | P2001182 | P2001183 | P2001645 |
| 15 | Volute Drain Plug (4) | P39020 | P39020 | P39040 | P39040 | P39040 | P39040 | P39040 |
| 11 | Volute Capscrew (8) | P40020 | P40020 | P40020 | P40020 | P40020 | P40020 | P40020 |
| 2 | Volute Gasket | P57700 | P57700 | P57700 | P57700 | P57700 | P57700 | P57700 |
| Parts for Pumps with 1.25" Shaft Sleeve Diameter at Mechanical Seal (Small Bore) | | | | | | | | |
| 4 | Impeller (State Diameter) 7" Full Diameter | P2000824 | P2000840 | P2000854 | P2000850 | P2000858 | P2000919 | P2001003 |
| 14 | Impeller Capscrew | P52350 | P52350 | P52350 | P52350 | P52350 | P52350 | P52350 |
| 13 | Impeller Lockwasher | J23874 | J23874 | J23874 | J23874 | J23874 | J23874 | J23874 |
| 3 | Impeller Washer | P46390 | P46390 | P46390 | P46390 | P46390 | P46390 | P46390 |
| 9 | Impeller Key | P49369 | P49369 | P49369 | P49369 | P49369 | P49369 | P49369 |
| 8 | Water Slinger | P53550 | P53550 | P53550 | P53550 | P53550 | P53550 | P53550 |
| 5 | Motor Bracket – Motor Frames 143JM,145JM,182JM,184JM | 187260 | 187260 | 187260 | 187260 | 187260 | 187260 | 187260 |
| 6 | Motor Bracket Capscrew (4) – Motor Frames 143JM,145JM,182JM,184JM | P40020 | P40020 | P40020 | P40020 | P40020 | P40020 | P40020 |
| 5 | Motor Bracket – Motor Frames 213JM,215JM | 187261 | 187261 | 187261 | 187261 | 187261 | 187261 | 187261 |
| 6 | Motor Bracket Capscrew (4) – Motor Frames 213JM,215JM | K03600 | K03600 | K03600 | K03600 | K03600 | K03600 | K03600 |
| 12 | Seal Kit Buna / Carbon vs Ceramic | 186862LF | 186862LF | 186862LF | 186862LF | 186862LF | 186862LF | 186862LF |
| 12 | Seal Kit EPR / Carbon vs Tungsten Carbide | 186861LF | 186861LF | 186861LF | 186861LF | 186861LF | 186861LF | 186861LF |
| 12 | Seal FKM / Carbon vs Ceramic | P95503 | P95503 | P95503 | P95503 | P95503 | P95503 | P95503 |
| 12 | Seal EPR / Silicon Carbide vs Silicon Carbide | P75423 | P75423 | P75423 | P75423 | P75423 | P75423 | P75423 |
| 7 | Shaft Sleeve Kit | 185025 | 185025 | 185025 | 185025 | 185025 | 185025 | 185025 |
| Parts for Pumps with 1.625" Shaft Sleeve Diameter at Mechanical Seal (Large Bore) | | | | | | | | |
| 4 | Impeller (State Diameter) 7" Full Diameter | Not Available | P2000911 | P2001149 | P2000909 | P2000860 | P2000921 | P2001005 |
| 14 | Impeller Capscrew | | P13800 | P13800 | P13800 | P13800 | P13800 | P13800 |
| 13 | Impeller Lockwasher | | J23875 | J23875 | J23875 | J23875 | J23875 | J23875 |
| 3 | Impeller Washer | | P51250 | P51250 | P51250 | P51250 | P51250 | P51250 |
| 9 | Impeller Key | | P49372 | P49372 | P49372 | P49372 | P49372 | P49372 |
| 8 | Water Slinger | | P53720 | P53720 | P53720 | P53720 | P53720 | P53720 |
| 5 | Motor Bracket – Motor Frames 254JM,256JM | | 187198 | 187198 | 187198 | 187198 | 187198 | 187198 |
| 6 | Motor Bracket Stud (4) – Motor Frames 254JM,256JM | | DJ0479 | DJ0479 | DJ0479 | DJ0479 | DJ0479 | DJ0479 |
| 6 | Motor Bracket Nut (4) – Motor Frames 254JM,256JM | | F11400 | F11400 | F11400 | F11400 | F11400 | F11400 |
| 5 | Motor Bracket – Motor Frames 284JM,286JM,324JM,326JM | | 187199 | 187199 | 187199 | 187199 | 187199 | 187199 |
| 6 | Motor Bracket Capscrew (4) – Motor Frames 284JM,286JM,324JM,326JM | | P19490 | P19490 | P19490 | P19490 | P19490 | P19490 |
| 12 | Seal Kit Buna / Carbon vs Ceramic | | 186543LF | 186543LF | 186543LF | 186543LF | 186543LF | 186543LF |
| 12 | Seal Kit EPR / Carbon vs Tungsten Carbide | | 185225LF | 185225LF | 185225LF | 185225LF | 185225LF | 185225LF |
| 12 | Seal FKM / Carbon vs Ceramic | | P77046 | P77046 | P77046 | P77046 | P77046 | P77046 |
| 12 | Seal EPR / Silicon Carbide vs Silicon Carbide | | P75424 | P75424 | P75424 | P75424 | P75424 | P75424 |
| 7 | Shaft Sleeve Kit | | 187202 | 187202 | 187202 | 187202 | 187202 | 187202 |

| ITEM | DESCRIPTION (QTY) | 1.25BC | 1.5BC | 2BD | 2.5BB | 3BD | 4BD | 5BD | 6BD |
|--|---|----------|----------|----------|----------|----------|----------|----------|---------------|
| STANDARD CONFIGURATION (STD, -F) | | | | | | | | | |
| 1 | Volute | P41620 | P41780 | P2000842 | P42542 | P2004411 | P2004417 | P2004423 | P2004565 |
| | Volute with Stainless Steel Wear Ring | P2001189 | P2001646 | P2001650 | P2002291 | P2004431 | P2004437 | P2004443 | P2004575 |
| | Stainless Steel Wear Ring | P2001184 | P2001649 | P2001653 | P2002294 | P2001185 | P2001197 | P2001202 | P2002303 |
| 15 | Volute Drain Plug (4) | P39020 | P39020 | P39020 | P39020 | P39040 | P39040 | P39040 | P39040 |
| 11 | Volute Capscrew (12) - Motor Frames 143JM thru 256JM | P03470 | P03470 | P03470 | P03470 | P03470 | P03470 | P03470 | P03470 |
| 11 | Volute Capscrew (12) - Motor Frames 284JM and Larger | P54700 | P54700 | P54700 | P54700 | P54700 | P54700 | P54700 | P54700 |
| 2 | Volute Gasket | P48690 | P48690 | P48690 | P48690 | P48690 | P48690 | P48690 | P48690 |
| Parts for Pumps with 1.25" Shaft Sleeve Diameter at Mechanical Seal (Small Bore) | | | | | | | | | |
| 4 | Impeller (State Diameter) 9.5" Full Diameter | P2001007 | P2001011 | P2000844 | P2001745 | P2000828 | P2000864 | P2000915 | Not Available |
| 14 | Impeller Capscrew | P52350 | P52350 | P52350 | P52350 | P52350 | P52350 | P52350 | |
| 13 | Impeller Lockwasher | J23874 | J23874 | J23874 | J23874 | J23874 | J23874 | J23874 | |
| 3 | Impeller Washer | P46390 | P46390 | P46390 | P46390 | P46390 | P46390 | P46390 | |
| 9 | Impeller Key | P49369 | P49369 | P49369 | P49369 | P49369 | P49369 | P49369 | |
| 8 | Water Slinger | P53550 | P53550 | P53550 | P53550 | P53550 | P53550 | P53550 | |
| 5 | Motor Bracket – Motor Frames 143JM,145JM,182JM,184JM | 187262 | 187262 | 187262 | 187262 | 187262 | 187262 | 187262 | |
| 6 | Motor Bracket Capscrew (4) - Motor Frames 143JM,145JM,182JM,184JM | P40020 | P40020 | P40020 | P40020 | P40020 | P40020 | P40020 | |
| 5 | Motor Bracket – Motor Frames 213JM,215JM | 187263 | 187263 | 187263 | 187263 | 187263 | 187263 | 187263 | |
| 6 | Motor Bracket Capscrew (4) – Motor Frames 213JM,215JM | K03600 | K03600 | K03600 | K03600 | K03600 | K03600 | K03600 | |
| 12 | Seal Kit Buna / Carbon vs Ceramic | 186862LF | 186862LF | 186862LF | 186862LF | 186862LF | 186862LF | 186862LF | |
| 12 | Seal Kit EPR / Carbon vs Tungsten Carbide | 186861LF | 186861LF | 186861LF | 186861LF | 186861LF | 186861LF | 186861LF | |
| 12 | Seal FKM / Carbon vs Ceramic | P95503 | P95503 | P95503 | P95503 | P95503 | P95503 | P95503 | |
| 12 | Seal EPR / Silicon Carbide vs Silicon Carbide | P75423 | P75423 | P75423 | P75423 | P75423 | P75423 | P75423 | |
| 7 | Shaft Sleeve Kit | 185025 | 185025 | 185025 | 185025 | 185025 | 185025 | 185025 | |
| Parts for Pumps with 1.625" Shaft Sleeve Diameter at Mechanical Seal (Large Bore) | | | | | | | | | |
| 4 | Impeller (State Diameter) 9.5" Full Diameter | P2001009 | P2001013 | P2000846 | P2001747 | P2000830 | P2000866 | P2000917 | P2000870 |
| 14 | Impeller Capscrew | P13800 | P13800 | P13800 | P13800 | P13800 | P13800 | P13800 | P13800 |
| 13 | Impeller Lockwasher | J23875 | J23875 | J23875 | J23875 | J23875 | J23875 | J23875 | J23875 |
| 3 | Impeller Washer | P51250 | P51250 | P51250 | P51250 | P51250 | P51250 | P51250 | P51250 |
| 9 | Impeller Key | P49372 | P49372 | P49372 | P49372 | P49372 | P49372 | P49372 | P49372 |
| 8 | Water Slinger | P53720 | P53720 | P53720 | P53720 | P53720 | P53720 | P53720 | P53720 |
| 5 | Motor Bracket – Motor Frames 254JM,256JM | 187200 | 187200 | 187200 | 187200 | 187200 | 187200 | 187200 | 187200 |
| 6 | Motor Bracket Stud (4) – Motor Frames 254JM,256JM | DJ0479 | DJ0479 | DJ0479 | DJ0479 | DJ0479 | DJ0479 | DJ0479 | DJ0479 |
| 6 | Motor Bracket Nut (4) – Motor Frames 254JM,256JM | F11400 | F11400 | F11400 | F11400 | F11400 | F11400 | F11400 | F11400 |
| 5 | Motor Bracket – Motor Frames 284JM,286JM,324JM,326JM | 187201 | 187201 | 187201 | 187201 | 187201 | 187201 | 187201 | 187201 |
| 6 | Motor Bracket Capscrew (4) – Motor Frames 284JM,286JM,324JM,326JM | P19490 | P19490 | P19490 | P19490 | P19490 | P19490 | P19490 | P19490 |
| 12 | Seal Kit Buna / Carbon vs Ceramic | 186543LF | 186543LF | 186543LF | 186543LF | 186543LF | 186543LF | 186543LF | 186543LF |
| 12 | Seal Kit EPR / Carbon vs Tungsten Carbide | 185225LF | 185225LF | 185225LF | 185225LF | 185225LF | 185225LF | 185225LF | 185225LF |
| 12 | Seal FKM / Carbon vs Ceramic | P77046 | P77046 | P77046 | P77046 | P77046 | P77046 | P77046 | P77046 |
| 12 | Seal EPR / Silicon Carbide vs Silicon Carbide | P75424 | P75424 | P75424 | P75424 | P75424 | P75424 | P75424 | P75424 |
| 7 | Shaft Sleeve Kit | 187202 | 187202 | 187202 | 187202 | 187202 | 187202 | 187202 | 187202 |

| ITEM | DESCRIPTION (QTY) | 2EB | 3EB | 4EB | 5EB | 6E |
|--|---|----------|----------|----------|---------------|----------|
| STANDARD CONFIGURATION (STD, -F) | | | | | | |
| 1 | Volute | P2000872 | P2004413 | P2004419 | P2004561 | P43972 |
| | Volute with Stainless Steel Wear Ring | P2001659 | P2004433 | P2004439 | P2004571 | P2002323 |
| | Stainless Steel Wear Ring | P2001666 | P2002312 | P2001675 | P2002321 | P2002329 |
| 15 | Volute Drain Plug (4) | P39040 | P39040 | P39040 | P39040 | P39040 |
| 11 | Volute Capscrew (16) | P13780 | P13780 | P13780 | P13780 | P13780 |
| 2 | Volute Gasket | P80765 | P80765 | P80765 | P80765 | P80765 |
| Parts for Pumps with 1.25" Shaft Sleeve Diameter at Mechanical Seal (Small Bore) | | | | | | |
| 4 | Impeller (State Diameter) 11" Full Diameter | P2000874 | P2001171 | P2000896 | Not Available | |
| 14 | Impeller Capscrew | P52350 | P52350 | P52350 | | |
| 13 | Impeller Lockwasher | J23874 | J23874 | J23874 | | |
| 3 | Impeller Washer | P46390 | P46390 | P46390 | | |
| 9 | Impeller Key | P49369 | P49369 | P49369 | | |
| 8 | Water Slinger | P53550 | P53550 | P53550 | | |
| 5 | Motor Bracket – Motor Frames 213JM,215JM | P90532 | P90532 | P90532 | | |
| 6 | Motor Bracket Capscrew (4) – Motor Frames 213JM,215JM | K03600 | K03600 | K03600 | | |
| 12 | Seal Kit Buna / Carbon vs Ceramic | 186862LF | 186862LF | 186862LF | | |
| 12 | Seal Kit EPR / Carbon vs Tungsten Carbide | 186861LF | 186861LF | 186861LF | | |
| 12 | Seal FKM / Carbon vs Ceramic | P95503 | P95503 | P95503 | | |
| 12 | Seal EPR / Silicon Carbide vs Silicon Carbide | P75423 | P75423 | P75423 | | |
| 7 | Shaft Sleeve Kit | 185025 | 185025 | 185025 | | |
| Parts for Pumps with 1.625" Shaft Sleeve Diameter at Mechanical Seal (Large Bore) | | | | | | |
| 4 | Impeller (State Diameter) 11" Full Diameter | P2000876 | P2001173 | P2000898 | P2001146 | P2001741 |
| 14 | Impeller Capscrew | P13800 | P13800 | P13800 | P13800 | P13800 |
| 13 | Impeller Lockwasher | J23875 | J23875 | J23875 | J23875 | J23875 |
| 3 | Impeller Washer | P51250 | P51250 | P51250 | P51250 | P51250 |
| 9 | Impeller Key | P49372 | P49372 | P49372 | P49372 | P49372 |
| 8 | Water Slinger | P53720 | P53720 | P53720 | P53720 | P53720 |
| 5 | Motor Bracket – Motor Frames 254JM,256JM | P2002504 | P2002504 | P2002504 | P2002504 | P2002504 |
| 6 | Motor Bracket Stud (4) – Motor Frames 254JM,256JM | DJ0479 | DJ0479 | DJ0479 | DJ0479 | DJ0479 |
| 6 | Motor Bracket Nut (4) – Motor Frames 254JM,256JM | F11400 | F11400 | F11400 | F11400 | F11400 |
| 5 | Motor Bracket – Motor Frames 284JM,286JM,324JM,326JM | P2002506 | P2002506 | P2002506 | P2002506 | P2002506 |
| 6 | Motor Bracket Stud (4) – Motor Frames 284JM,286JM,324JM,326JM | P2002540 | P2002540 | P2002540 | P2002540 | P2002540 |
| 6 | Motor Bracket Nut (4) – Motor Frames 284JM,286JM,324JM,326JM | P2002541 | P2002541 | P2002541 | P2002541 | P2002541 |
| 12 | Seal Kit Buna / Carbon vs Ceramic | 186543LF | 186543LF | 186543LF | 186543LF | 186543LF |
| 12 | Seal Kit EPR / Carbon vs Tungsten Carbide | 185225LF | 185225LF | 185225LF | 185225LF | 185225LF |
| 12 | Seal FKM / Carbon vs Ceramic | P77046 | P77046 | P77046 | P77046 | P77046 |
| 12 | Seal EPR / Silicon Carbide vs Silicon Carbide | P75424 | P75424 | P75424 | P75424 | P75424 |
| 7 | Shaft Sleeve Kit | 187202 | 187202 | 187202 | 187202 | 187202 |

| ITEM | DESCRIPTION (QTY) | 2GB | 3GB | 4GC | 5GB | 6G | 8GB |
|--|---|----------|----------|----------|----------|----------|----------|
| STANDARD CONFIGURATION (STD, -F) | | | | | | | |
| 1 | Volute | P2000890 | P2004415 | P2004421 | P2004563 | P44081 | P2001155 |
| | Volute with Stainless Steel Wear Ring | P2002339 | P2004435 | P2004441 | P2004573 | P2002331 | P2001654 |
| | Stainless Steel Wear Ring | P2002346 | P2002355 | P2001684 | P2001207 | P2002337 | P2001657 |
| 15 | Volute Drain Plug (4) | P39040 | P39040 | P39040 | P39040 | P39040 | P39040 |
| 11 | Volute Capscrew (16) | P13780 | P13780 | P13780 | P13780 | P13780 | P13780 |
| | Volute Cover Plate | P51561 | P51561 | P51561 | P51561 | P51561 | P51561 |
| | Volute Cover Plate Capscrew (8) | DJ0071 | DJ0071 | DJ0071 | DJ0071 | DJ0071 | DJ0071 |
| 2 | Volute Gasket | P80767 | P80767 | P80767 | P80767 | P80767 | P80767 |
| Parts for Pumps with 1.625" Shaft Sleeve Diameter at Mechanical Seal (Large Bore) | | | | | | | |
| 4 | Impeller (State Diameter) 13.5" Full Diameter | P2000892 | P2000888 | P2000884 | P2000880 | P2001742 | P2001157 |
| 14 | Impeller Capscrew | P13800 | P13800 | P13800 | P13800 | P13800 | P13800 |
| 13 | Impeller Lockwasher | J23875 | J23875 | J23875 | J23875 | J23875 | J23875 |
| 3 | Impeller Washer | P51250 | P51250 | P51250 | P51250 | P51250 | P51250 |
| 9 | Impeller Key | P49372 | P49372 | P49372 | P49372 | P49372 | P49372 |
| 8 | Water Slinger | P53720 | P53720 | P53720 | P53720 | P53720 | P53720 |
| 5 | Motor Bracket - Motor Frames 254JM,256JM | P2002510 | P2002510 | P2002510 | P2002510 | P2002510 | P2002510 |
| 6 | Motor Stud (4) - Motor Frames 254JM,256JM | DJ0479 | DJ0479 | DJ0479 | DJ0479 | DJ0479 | DJ0479 |
| 6 | Motor Nut (4) - Motor Frames 254JM,256JM | F11400 | F11400 | F11400 | F11400 | F11400 | F11400 |
| 5 | Motor Bracket - Motor Frames 284JM,286JM,324JM,326JM | P2002512 | P2002512 | P2002512 | P2002512 | P2002512 | P2002512 |
| 6 | Motor Stud (4) - Motor Frames 284JM,286JM,324JM,326JM | P2002540 | P2002540 | P2002540 | P2002540 | P2002540 | P2002540 |
| 6 | Motor Nut (4) - Motor Frames 284JM,286JM,324JM,326JM | P2002541 | P2002541 | P2002541 | P2002541 | P2002541 | P2002541 |
| 12 | Seal Kit Buna / Carbon vs Ceramic | 186543LF | 186543LF | 186543LF | 186543LF | 186543LF | 186543LF |
| 12 | Seal Kit EPR / Carbon vs Tungsten Carbide | 185225LF | 185225LF | 185225LF | 185225LF | 185225LF | 185225LF |
| 12 | Seal FKM / Carbon vs Ceramic | P77046 | P77046 | P77046 | P77046 | P77046 | P77046 |
| 12 | Seal EPR / Silicon Carbide vs Silicon Carbide | P75424 | P75424 | P75424 | P75424 | P75424 | P75424 |
| 7 | Shaft Sleeve Kit | 187202 | 187202 | 187202 | 187202 | 187202 | 187202 |

| ITEM | DESCRIPTION (QTY) | 1.25AD | 1.5AD | 2AD | 2.5AC | 3AD | 4AD | 5A |
|--|---|---------------|----------|----------|----------|----------|----------|----------|
| STUFFING BOX CONFIGURATION (-S, -PF) | | | | | | | | |
| 1 | Volute | P2000822 | P2000838 | P2000852 | P2000848 | P2000856 | P2000832 | P43663 |
| | Volute with Stainless Steel Wear Ring | P2000899 | P2000900 | P2001194 | P2000901 | P2000902 | P2000904 | P2001642 |
| | Stainless Steel Wear Ring | P2001179 | P2001180 | P2001195 | P2001181 | P2001182 | P2001183 | P2001645 |
| 15 | Volute Drain Plug (4) | P39020 | P39020 | P39040 | P39040 | P39040 | P39040 | P39040 |
| 2 | Volute Gasket | P57700 | P57700 | P57700 | P57700 | P57700 | P57700 | P57700 |
| Parts for Pumps with 1.25" Shaft Sleeve Diameter at Mechanical Seal (Small Bore) | | | | | | | | |
| 11 | Volute Capscrew (8) | P40020 | P40020 | P40020 | P40020 | P40020 | P40020 | P40020 |
| 29 | Volute Coverplate | P85027 | P85027 | P85027 | P85027 | P85027 | P85027 | P85027 |
| 16 | Volute Coverplate Capscrew (4) | P40020 | P40020 | P40020 | P40020 | P40020 | P40020 | P40020 |
| 4 | Impeller (State Diameter) 7" Full Diameter | P2000824 | P2000840 | P2000854 | P2000850 | P2000858 | P2000919 | P2001003 |
| 14 | Impeller Capscrew | P52350 | P52350 | P52350 | P52350 | P52350 | P52350 | P52350 |
| 13 | Impeller Lockwasher | J23874 | J23874 | J23874 | J23874 | J23874 | J23874 | J23874 |
| 3 | Impeller Washer | P46390 | P46390 | P46390 | P46390 | P46390 | P46390 | P46390 |
| 9 | Impeller Key | P49369 | P49369 | P49369 | P49369 | P49369 | P49369 | P49369 |
| 8 | Water Slinger | P53550 | P53550 | P53550 | P53550 | P53550 | P53550 | P53550 |
| 5 | Motor Bracket – Motor Frames 143JP,145JP,182JP,184JP | P85023 | P85023 | P85023 | P85023 | P85023 | P85023 | P85023 |
| 6 | Motor Bracket Capscrew (4) – Motor Frames 143JP,145JP,182JP,184JP | P52320 | P52320 | P52320 | P52320 | P52320 | P52320 | P52320 |
| 7 | Shaft Sleeve | P85075 | P85075 | P85075 | P85075 | P85075 | P85075 | P85075 |
| Mechanical Seal for Stuffing Box Configuration (-S) (Small Bore) | | | | | | | | |
| 23 | Seal Assembly EPR / Carbon vs Tungsten Carbide | P85070 | P85070 | P85070 | P85070 | P85070 | P85070 | P85070 |
| 24 | Seal Cap | P85082 | P85082 | P85082 | P85082 | P85082 | P85082 | P85082 |
| 28 | Seal Cap Capscrew (4) | H28100 | H28100 | H28100 | H28100 | H28100 | H28100 | H28100 |
| 26 | Seal Cap Nut (4) | P52380 | P52380 | P52380 | P52380 | P52380 | P52380 | P52380 |
| 27 | Seal Cap Washer (4) | P10910 | P10910 | P10910 | P10910 | P10910 | P10910 | P10910 |
| 25 | Seal Cap Gasket | P85077 | P85077 | P85077 | P85077 | P85077 | P85077 | P85077 |
| Packing for Stuffing Box Configuration (-PF) (Small Bore) | | | | | | | | |
| 17 | Packing Ring Set (4 Pieces to Each Set) | AC6132 | AC6132 | AC6132 | AC6132 | AC6132 | AC6132 | AC6132 |
| 18 | Lantern Ring Set (2 Pieces to Each Set) | P84985 | P84985 | P84985 | P84985 | P84985 | P84985 | P84985 |
| 19 | Packing Gland Halves (2) | P85048 | P85048 | P85048 | P85048 | P85048 | P85048 | P85048 |
| 21 | Packing Gland Capscrew (2) | J92052 | J92052 | J92052 | J92052 | J92052 | J92052 | J92052 |
| 22 | Packing Gland Nut (2) | J91659 | J91659 | J91659 | J91659 | J91659 | J91659 | J91659 |
| 20 | Packing Gland Washer (2) | J91649 | J91649 | J91649 | J91649 | J91649 | J91649 | J91649 |
| Parts for Pumps with 1.625" Shaft Sleeve Diameter at Mechanical Seal (Large Bore) | | | | | | | | |
| 29 | Volute Coverplate | Not Available | P85035 | P85035 | P85035 | P85035 | P85035 | P85035 |
| 16 | Volute Coverplate Capscrew (8) | | DJ0081 | DJ0081 | DJ0081 | DJ0081 | DJ0081 | DJ0081 |
| 4 | Impeller (state diameter) 7" Full Diameter | | P2000911 | P2001149 | P2000909 | P2000860 | P2000921 | P2001005 |
| 14 | Impeller Capscrew | | P13800 | P13800 | P13800 | P13800 | P13800 | P13800 |
| 13 | Impeller Lockwasher | | J23875 | J23875 | J23875 | J23875 | J23875 | J23875 |
| 3 | Impeller Washer | | P51250 | P51250 | P51250 | P51250 | P51250 | P51250 |
| 9 | Impeller Key | | P49372 | P49372 | P49372 | P49372 | P49372 | P49372 |
| 8 | Water Slinger | | P77320 | P77320 | P77320 | P77320 | P77320 | P77320 |
| 5 | Motor Bracket – Motor Frames 213JP,215JP,254JP,256JP | | P85025 | P85025 | P85025 | P85025 | P85025 | P85025 |
| 6 | Motor Bracket Capscrew (4) – Motor Frames 213JP,215JP,254JP,256JP | | K03600 | K03600 | K03600 | K03600 | K03600 | K03600 |
| 5 | Motor Bracket – Motor Frames 284JP,286JP,324JP,326JP | | P85099 | P85099 | P85099 | P85099 | P85099 | P85099 |
| 6 | Motor Bracket Capscrew (4) – Motor Frames 284JP,286JP,324JP,326JP | | P19490 | P19490 | P19490 | P19490 | P19490 | P19490 |
| 7 | Shaft Sleeve Kit | | 185022 | 185022 | 185022 | 185022 | 185022 | 185022 |
| Mechanical Seal for Stuffing Box Configuration (-S) (Large Bore) | | | | | | | | |
| 23 | Seal Assembly EPR / Carbon vs Tungsten Carbide | Not Available | 185050LF | 185050LF | 185050LF | 185050LF | 185050LF | 185050LF |
| 24 | Seal Cap | | P85086 | P85086 | P85086 | P85086 | P85086 | P85086 |
| 28 | Seal Cap Capscrew (4) | | H28100 | H28100 | H28100 | H28100 | H28100 | H28100 |
| 26 | Seal Cap Nut (4) | | P52380 | P52380 | P52380 | P52380 | P52380 | P52380 |
| 27 | Seal Cap Washer (4) | | P10910 | P10910 | P10910 | P10910 | P10910 | P10910 |
| 25 | Seal Cap Gasket | | P85078 | P85078 | P85078 | P85078 | P85078 | P85078 |
| Packing for Stuffing Box Configuration (-PF) (Large Bore) | | | | | | | | |
| 17 | Packing Ring Set (4 Pieces to Each Set) | Not Available | AC6133 | AC6133 | AC6133 | AC6133 | AC6133 | AC6133 |
| 18 | Lantern Ring Set (2 Pieces to Each Set) | | P84986 | P84986 | P84986 | P84986 | P84986 | P84986 |
| 19 | Packing Gland Halves (2) | | P85050 | P85050 | P85050 | P85050 | P85050 | P85050 |
| 21 | Packing Gland Capscrew (2) | | J92052 | J92052 | J92052 | J92052 | J92052 | J92052 |
| 22 | Packing Gland Nut (2) | | J91659 | J91659 | J91659 | J91659 | J91659 | J91659 |
| 20 | Packing Gland Washer (2) | | J91649 | J91649 | J91649 | J91649 | J91649 | J91649 |

| ITEM | DESCRIPTION (QTY) | 1.25BC | 1.5BC | 2BD | 2.5BB | 3BD | 4BD | 5BD | 6BD |
|--|---|----------|----------|----------|----------|----------|---------------|----------|----------|
| STUFFING BOX CONFIGURATION (-S, -PF) | | | | | | | | | |
| 1 | Volute | P41620 | P41780 | P2000842 | P42542 | P2004411 | P2004417 | P2004423 | P2004565 |
| | Volute with Stainless Steel Wear Ring | P2001189 | P2001646 | P2001650 | P2002291 | P2004431 | P2004437 | P2004443 | P2004575 |
| | Stainless Steel Wear Ring | P2001184 | P2001649 | P2001653 | P2002294 | P2001185 | P2001197 | P2001202 | P2002303 |
| 15 | Volute Drain Plug (4) | P39020 | P39020 | P39020 | P39020 | P39040 | P39040 | P39040 | P39040 |
| 11 | Volute Capscrew (12) for Frame Sizes thru 256JP | P03470 | P03470 | P03470 | P03470 | P03470 | P03470 | P03470 | P03470 |
| 11 | Volute Capscrew (12) for Frame Sizes 284JP and Larger | P54700 | P54700 | P54700 | P54700 | P54700 | P54700 | P54700 | P54700 |
| 2 | Volute Gasket | P48690 | P48690 | P48690 | P48690 | P48690 | P48690 | P48690 | P48690 |
| Parts for Pumps with 1.25" Shaft Sleeve Diameter at Mechanical Seal (Small Bore) | | | | | | | | | |
| 29 | Volute Coverplate | P85031 | P85031 | P85031 | P85031 | P85031 | Not Available | | |
| 16 | Volute Coverplate Capscrew (4) | P40020 | P40020 | P40020 | P40020 | P40020 | | | |
| 4 | Impeller (State Diameter) 9.5" Full Diameter | P2001007 | P2001011 | P2000844 | P2001745 | P2000828 | | | |
| 14 | Impeller Capscrew | P52350 | P52350 | P52350 | P52350 | P52350 | | | |
| 13 | Impeller Lockwasher | J23874 | J23874 | J23874 | J23874 | J23874 | | | |
| 3 | Impeller Washer | P46390 | P46390 | P46390 | P46390 | P46390 | | | |
| 9 | Impeller Key | P49369 | P49369 | P49369 | P49369 | P49369 | | | |
| 8 | Water Slinger | P53550 | P53550 | P53550 | P53550 | P53550 | | | |
| 5 | Motor Bracket – Motor Frames 143JP, 145JP, 182JP, 184JP | P85023 | P85023 | P85023 | P85023 | P85023 | | | |
| 6 | Motor Bracket Capscrew for above (4) | P52320 | P52320 | P52320 | P52320 | P52320 | | | |
| 7 | Shaft Sleeve | P85075 | P85075 | P85075 | P85075 | P85075 | | | |
| Mechanical Seal for Stuffing Box Configuration (-S) (Small Bore) | | | | | | | | | |
| 23 | Seal Assembly EPR / Carbon vs Tungsten Carbide | P85070 | P85070 | P85070 | P85070 | P85070 | Not Available | | |
| 24 | Seal Cap | P85082 | P85082 | P85082 | P85082 | P85082 | | | |
| 28 | Seal Cap Capscrew (4) | H28100 | H28100 | H28100 | H28100 | H28100 | | | |
| 26 | Seal Cap Nut (4) | P52380 | P52380 | P52380 | P52380 | P52380 | | | |
| 27 | Seal Cap Washer (4) | P10910 | P10910 | P10910 | P10910 | P10910 | | | |
| 25 | Seal Cap Gasket | P85077 | P85077 | P85077 | P85077 | P85077 | | | |
| Packing for Stuffing Box Configuration (-PF) (Small Bore) | | | | | | | | | |
| 17 | Packing Ring Set (4 Pieces to Each Set) | AC6132 | AC6132 | AC6132 | AC6132 | AC6132 | Not Available | | |
| 18 | Lantern Ring Set (2 Pieces to Each Set) | P84985 | P84985 | P84985 | P84985 | P84985 | | | |
| 19 | Packing Gland Halves (2) | P85048 | P85048 | P85048 | P85048 | P85048 | | | |
| 21 | Packing Gland Capscrew (2) | J92052 | J92052 | J92052 | J92052 | J92052 | | | |
| 22 | Packing Gland Nut (2) | J91659 | J91659 | J91659 | J91659 | J91659 | | | |
| 20 | Packing Gland Washer (2) | J91649 | J91649 | J91649 | J91649 | J91649 | | | |
| Parts for Pumps with 1.625" Shaft Sleeve Diameter at Mechanical Seal (Large Bore) | | | | | | | | | |
| 29 | Volute Coverplate | P85039 | P85039 | P85039 | P85039 | P85039 | P85039 | P85039 | P85039 |
| 16 | Volute Coverplate Capscrew (8) | P52320 | P52320 | P52320 | P52320 | P52320 | P52320 | P52320 | P52320 |
| 4 | Impeller (State Diameter) 9.5" Full Diameter | P2001009 | P2001013 | P2000846 | P2001747 | P2000830 | P2000866 | P2000917 | P2000870 |
| 14 | Impeller Capscrew | P13800 | P13800 | P13800 | P13800 | P13800 | P13800 | P13800 | P13800 |
| 13 | Impeller Lockwasher | J23875 | J23875 | J23875 | J23875 | J23875 | J23875 | J23875 | J23875 |
| 3 | Impeller Washer | P51250 | P51250 | P51250 | P51250 | P51250 | P51250 | P51250 | P51250 |
| 9 | Impeller Key | P49372 | P49372 | P49372 | P49372 | P49372 | P49372 | P49372 | P49372 |
| 8 | Water Slinger | P77320 | P77320 | P77320 | P77320 | P77320 | P77320 | P77320 | P77320 |
| 5 | Motor Bracket – Motor Frames 213JP, 215JP, 254JP, 256JP | P85025 | P85025 | P85025 | P85025 | P85025 | P85025 | P85025 | P85025 |
| 6 | Motor Bracket Capscrew for above (4) | K03600 | K03600 | K03600 | K03600 | K03600 | K03600 | K03600 | K03600 |
| 5 | Motor Bracket – Motor Frames 284JP, 286JP, 324JP, 326JP | P85099 | P85099 | P85099 | P85099 | P85099 | P85099 | P85099 | P85099 |
| 6 | Motor Bracket Capscrew for above (4) | P19490 | P19490 | P19490 | P19490 | P19490 | P19490 | P19490 | P19490 |
| 7 | Shaft Sleeve Kit | 185022 | 185022 | 185022 | 185022 | 185022 | 185022 | 185022 | 185022 |
| Mechanical Seal for Stuffing Box Configuration (-S) (Large Bore) | | | | | | | | | |
| 23 | Seal Assembly EPR / Carbon vs Tungsten Carbide | 185050LF | 185050LF | 185050LF | 185050LF | 185050LF | 185050LF | 185050LF | 185050LF |
| 24 | Seal Cap | P85086 | P85086 | P85086 | P85086 | P85086 | P85086 | P85086 | P85086 |
| 28 | Seal Cap Capscrew (4) | H28100 | H28100 | H28100 | H28100 | H28100 | H28100 | H28100 | H28100 |
| 26 | Seal Cap Nut (4) | P52380 | P52380 | P52380 | P52380 | P52380 | P52380 | P52380 | P52380 |
| 27 | Seal Cap Washer (4) | P10910 | P10910 | P10910 | P10910 | P10910 | P10910 | P10910 | P10910 |
| 25 | Seal Cap Gasket | P85078 | P85078 | P85078 | P85078 | P85078 | P85078 | P85078 | P85078 |
| Packing for Stuffing Box Configuration (-PF) (Large Bore) | | | | | | | | | |
| 17 | Packing Ring Set (4 Pieces to Each Set) | AC6133 | AC6133 | AC6133 | AC6133 | AC6133 | AC6133 | AC6133 | AC6133 |
| 18 | Lantern Ring Set (2 Pieces to Each Set) | P84986 | P84986 | P84986 | P84986 | P84986 | P84986 | P84986 | P84986 |
| 19 | Packing Gland Halves (2) | P85050 | P85050 | P85050 | P85050 | P85050 | P85050 | P85050 | P85050 |
| 21 | Packing Gland Capscrew (2) | J92052 | J92052 | J92052 | J92052 | J92052 | J92052 | J92052 | J92052 |
| 22 | Packing Gland Nut (2) | J91659 | J91659 | J91659 | J91659 | J91659 | J91659 | J91659 | J91659 |
| 20 | Packing Gland Washer (2) | J91649 | J91649 | J91649 | J91649 | J91649 | J91649 | J91649 | J91649 |

| ITEM | DESCRIPTION (QTY) | 2EB | 3EB | 4EB | 5EB | 6E |
|--|--|----------|----------|----------|---------------|----------|
| STUFFING BOX CONFIGURATION (-S, -PF) | | | | | | |
| 1 | Volute | P2000872 | P2004413 | P2004419 | P2004561 | P43972 |
| | Volute with Stainless Steel Wear Ring | P2001659 | P2004433 | P2004439 | P2004571 | P2002323 |
| | Stainless Steel Wear Ring | P2001666 | P2002312 | P2001675 | P2002321 | P2002329 |
| 15 | Volute Drain Plug (4) | P39040 | P39040 | P39040 | P39040 | P39040 |
| 11 | Volute Capscrew (16) | P13780 | P13780 | P13780 | P13780 | P13780 |
| 2 | Volute Gasket | P80765 | P80765 | P80765 | P80765 | P80765 |
| Parts for Pumps with 1.25" Shaft Sleeve Diameter at Mechanical Seal (Small Bore) | | | | | | |
| 29 | Volute Coverplate | P53052 | P53052 | P53052 | Not Available | |
| 16 | Volute Coverplate Capscrew (4) | P40020 | P40020 | P40020 | | |
| 4 | Impeller (State Diameter) 11" Full Diameter | P2000874 | P2001171 | P2000896 | | |
| 14 | Impeller Capscrew | P52350 | P52350 | P52350 | | |
| 13 | Impeller Lockwasher | J23874 | J23874 | J23874 | | |
| 3 | Impeller Washer | P46390 | P46390 | P46390 | | |
| 9 | Impeller Key | P49369 | P49369 | P49369 | | |
| 8 | Water Slinger | P53550 | P53550 | P53550 | | |
| 5 | Motor Bracket – Motor Frames 182JP-184JP | P85023 | P85023 | P85023 | | |
| 6 | Motor Bracket Capscrew (4) – Motor Frames 182JP-184JP | P52320 | P52320 | P52320 | | |
| 7 | Shaft Sleeve | P85075 | P85075 | P85075 | | |
| Mechanical Seal for Stuffing Box Configuration (-S) (Small Bore) | | | | | | |
| 23 | Seal Assembly EPR / Carbon vs Tungsten Carbide | P85070 | P85070 | P85070 | Not Available | |
| 24 | Seal Cap | P85082 | P85082 | P85082 | | |
| 28 | Seal Cap Capscrew (4) | H28100 | H28100 | H28100 | | |
| 26 | Seal Cap Nut (4) | P52380 | P52380 | P52380 | | |
| 27 | Seal Cap Washer (4) | P10910 | P10910 | P10910 | | |
| 25 | Seal Cap Gasket | P85077 | P85077 | P85077 | | |
| Packing for Stuffing Box Configuration (-PF) (Small Bore) | | | | | | |
| 17 | Packing Ring Set (4 Pieces to Each Set) | AC6132 | AC6132 | AC6132 | Not Available | |
| 18 | Lantern Ring Set (2 Pieces to Each Set) | P84985 | P84985 | P84985 | | |
| 19 | Packing Gland Halves (2) | P85048 | P85048 | P85048 | | |
| 21 | Packing Gland Capscrew (2) | J92052 | J92052 | J92052 | | |
| 22 | Packing Gland Nut (2) | J91659 | J91659 | J91659 | | |
| 20 | Packing Gland Washer (2) | J91649 | J91649 | J91649 | | |
| Parts for Pumps with 1.625" Shaft Sleeve Diameter at Mechanical Seal (Large Bore) | | | | | | |
| 29 | Volute Coverplate | P53056 | P53056 | P53056 | P53056 | P53056 |
| 16 | Volute Coverplate Capscrew (8) | P52320 | P52320 | P52320 | P52320 | P52320 |
| 4 | Impeller (State Diameter) 11" Full Diameter | P2000876 | P2001173 | P2000898 | P2001146 | P2001741 |
| 14 | Impeller Capscrew | P13800 | P13800 | P13800 | P13800 | P13800 |
| 13 | Impeller Lockwasher | J23875 | J23875 | J23875 | J23875 | J23875 |
| 3 | Impeller Washer | P51250 | P51250 | P51250 | P51250 | P51250 |
| 9 | Impeller Key | P49372 | P49372 | P49372 | P49372 | P49372 |
| 8 | Water Slinger | P77320 | P77320 | P77320 | P77320 | P77320 |
| 5 | Motor Bracket – Motor Frames 213JP-215JP, 254JP-256JP | P85025 | P85025 | P85025 | P85025 | P85025 |
| 6 | Motor Bracket Capscrew (4) – Motor Frames 213JP-215JP, 254JP-256JP | K03600 | K03600 | K03600 | K03600 | K03600 |
| 5 | Motor Bracket – Motor Frames 284JP-286JP, 324JP-326JP | P85099 | P85099 | P85099 | P85099 | P85099 |
| 6 | Motor Bracket Capscrew (4) – Motor Frames 284JP-286JP, 324JP-326JP | P19490 | P19490 | P19490 | P19490 | P19490 |
| 7 | Shaft Sleeve Kit | 185022 | 185022 | 185022 | 185022 | 185022 |
| Mechanical Seal for Stuffing Box Configuration (-S) (Large Bore) | | | | | | |
| 23 | Seal Assembly EPR / Carbon vs Tungsten Carbide | 185050LF | 185050LF | 185050LF | 185050LF | 185050LF |
| 24 | Seal Cap | P85086 | P85086 | P85086 | P85086 | P85086 |
| 28 | Seal Cap Capscrew (4) | H28100 | H28100 | H28100 | H28100 | H28100 |
| 26 | Seal Cap Nut (4) | P52380 | P52380 | P52380 | P52380 | P52380 |
| 27 | Seal Cap Washer (4) | P10910 | P10910 | P10910 | P10910 | P10910 |
| 25 | Seal Cap Gasket | P85078 | P85078 | P85078 | P85078 | P85078 |
| Packing for Stuffing Box Configuration (-PF) (Large Bore) | | | | | | |
| 17 | Packing Ring Set (4 Pieces to Each Set) | AC6133 | AC6133 | AC6133 | AC6133 | AC6133 |
| 18 | Lantern Ring Set (2 Pieces to Each Set) | P84986 | P84986 | P84986 | P84986 | P84986 |
| 19 | Packing Gland Halves (2) | P85050 | P85050 | P85050 | P85050 | P85050 |
| 21 | Packing Gland Capscrew (2) | J92052 | J92052 | J92052 | J92052 | J92052 |
| 22 | Packing Gland Nut (2) | J91659 | J91659 | J91659 | J91659 | J91659 |
| 20 | Packing Gland Washer (2) | J91649 | J91649 | J91649 | J91649 | J91649 |

Xylem |'zīləm|

- 1) The tissue in plants that brings water upward from the roots;
- 2) a leading global water technology company.

We're a global team unified in a common purpose: creating advanced technology solutions to the world's water challenges. Developing new technologies that will improve the way water is used, conserved, and re-used in the future is central to our work. Our products and services move, treat, analyze, monitor and return water to the environment, in public utility, industrial, residential and commercial building services, and agricultural settings. With its October 2016 acquisition of Sensus, Xylem added smart metering, network technologies and advanced data analytics for water, gas and electric utilities to its portfolio of solutions. In more than 150 countries, we have strong, long-standing relationships with customers who know us for our powerful combination of leading product brands and applications expertise with a strong focus on developing comprehensive, sustainable solutions.

For more information on how Xylem can help you, go to www.xylem.com

We value your feedback. Please take our 3 question survey at **bellgossett.com/survey** to let us know how we are doing.



Xylem Inc.
8200 N. Austin Avenue
Morton Grove, Illinois 60053
Phone: (847) 966-3700
Fax: (847) 965-8379
www.bellgossett.com

Bell & Gossett is a trademark of Xylem Inc. or one of its subsidiaries.
© 2021 Xylem Inc. CP-306E-PL R2 February 2021