

## Buffer Tanks

Our line of Chilled Water and Hot water Buffer tanks deliver all the quality and performance you expect from Taco products. They are built to last, shell, heads and ANSI flanges with ASME stamp. Constructed for 125 & 150 psi working pressures all while providing outstanding performance in the field, up to a standard operating temperature of 375°F. These products are available in standard connection sizes from 2" through 12" to meet the needs of a broad range of applications with custom unit sizes available. Our tank volumes range from 50 gallons up to 3000 gallons with 22 sizes, 2 arrangements, 3 connection types, 7 pipe sizes, 3 design temperatures, 2 design pressures and 14 insulation option as standard and custom sizes to meet our customers' requirements.

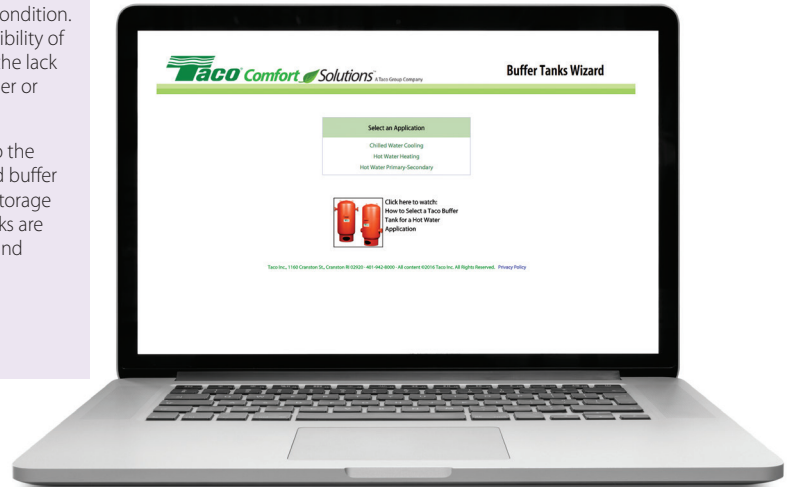


# Specifications

Many applications arise where a boiler or chiller may operate in a short cycle condition. Short cycling of the boiler or chiller is not recommended due to the high possibility of damage and or shortened component life, Short cycling is frequently due to the lack of Btu load balance between the demand of the hydronic system and the chiller or boiler Btu capacity.

A buffer tanks is often utilized to introduce additional system fluid volume into the hydronic system to reduce the likelihood of this short cycling. A properly sized buffer tank optimizes the operation of the chiller or boiler and often introduces Btu storage allowing the system to operate without cycling the chiller or boiler. Buffer tanks are available in vertical or horizontal orientations with a wide range of diameters and lengths(available storage volumes.)

Taco Inc. is pleased to offer a sizing app to aid in the sizing of buffer tanks. This app may be located at [www.taco-hvac.com/wizard\\_buffer\\_tanks.html](http://www.taco-hvac.com/wizard_buffer_tanks.html)



Access the convenient **Buffer Tanks Wizard** by going to [www.taco-hvac.com/wizard\\_buffer\\_tanks.html](http://www.taco-hvac.com/wizard_buffer_tanks.html)

## SPECIFICATIONS

- Designed and constructed per ASME Code Section VIII, Division 1.
- Construction: Carbon Steel with Exterior Red Oxide Primer Finish on ALL tanks
- Standard Design Pressure and Temperature: 125 psi @ 375°F
- Flanged inlet and outlet System Connections (standard sizes shown)
- Registered with the National Board of Pressure Vessel Manufacturers
- Solid Internal Baffle
- Base Ring or Saddle
- Raised Nameplate

## OPTIONS (Consult Factory)

- Optional materials of construction
- Higher design pressures and temperatures
- Optional System Connection sizes available

## THERMAL INSULATION

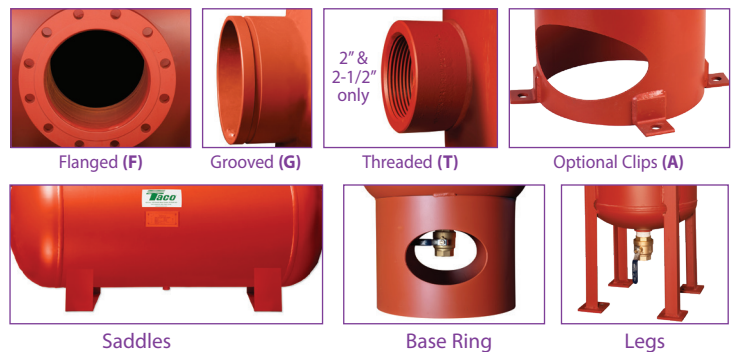
- None
- Chilled Water 1/2' Armaflex ( C )
- Heating Water 1' Silicon Blanket ( H )
- Other \_ D, E, F, G, J, K, L, M, P, R, S & T \_ **See page 12 for details**

## OPTIONAL CONNECTION TYPES

- 'T' Female NPT Threaded 2" & 2 1/2" only Available only on sizes, BT0050 thru BT0350
- Optional Anchor Clips
- Optional 150 PSI Working Pressure

## ANSI Flange Data Table Class 150 RF30

SIZE	O.D.	B.C.	#HOLES	HOLE DIA.	CL-CL
2"	6"	4-3/4"	4	3/4"	3.359
3"	7-1/2"	6"	4	3/4"	4.243
4"	9"	7-1/2"	8	3/4"	2.870
6"	11"	9-1/2"	8	7/8"	3.635
8"	13-1/2"	11-3/4"	8	7/8"	4.497
10"	16"	14-1/4"	12	1"	3.688
12"	19"	17"	12	1"	4.400

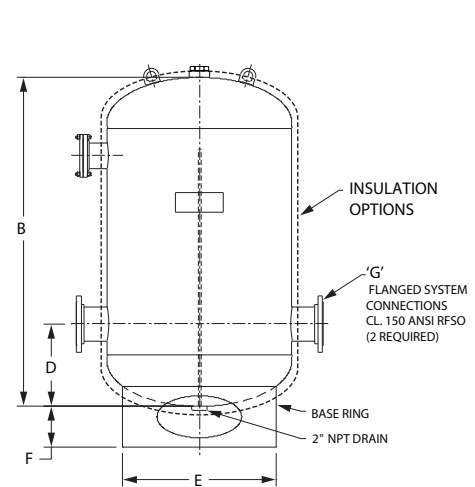
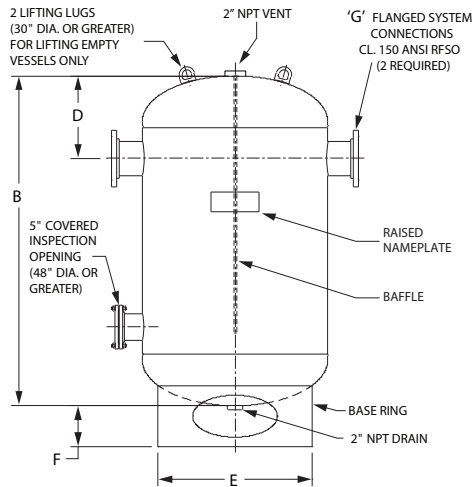
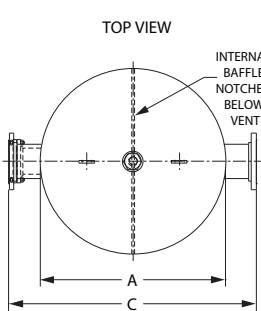


# Quick Reference Guide

Model	Gallons	Actual Gallons	A	B	C	D	E	F	G	Maximum Approx. Dry Wt. (LBS.)	Maximum Flooded Wt. (LBS.)	Surface Area (Sq. Ft.)
			Tank Dia. (in)	Tank Height (in.)	Flange Spread (in.) Min./Max.	Head to Flange	Base Ring (Dia.)	Base Ring AFF (in.)	Nozzle Size (in.)			
BT_0050F__-125N	50	<b>55</b>	20"	43.0	30	11-1/2	16	6-3/4	2", 3", 4"	190	607	21
BT_0075F__-125N	75	<b>82</b>	24"	46.0	34	12-5/8	20	6-3/4	2", 3", 4"	240	866	27
BT_0100F__-125N	100	<b>111</b>	24"	61.0	34	12-5/8	20	6-3/4	2", 3", 4"	280	1,114	34
BT_0125F__-125N	125	<b>139</b>	24"	76.0	34	12-5/8	20	6-3/4	2", 3", 4"	330	1,373	42
BT_0150F__-125N	150	<b>168</b>	30"	60.0	40	14-1/4	24	8	2", 3", 4"	510	1,761	43
BT_0180F__-125N	180	<b>201</b>	30"	71.0	40	14-1/4	24	8	2", 3", 4"	590	2,091	50
BT_0200F__-125N	200	<b>222</b>	30"	78.0	40	14-1/4	24	8	2", 3", 4"	630	2,298	55
BT_0250F__-125N	250	<b>278</b>	36"	69.0	46	16-1/4	30	7-1/8	3", 4", 6"	710	2,795	59
BT_0300F__-125N	300	<b>334</b>	36"	82.0	46	16-1/4	30	7-1/8	3", 4", 6"	820	3,322	69
BT_0350F__-125N	350	<b>386</b>	36"	94.0	46	16-1/4	30	7-1/8	3", 4", 6"	910	3,829	79
BT_0400F__-125N	400	<b>443</b>	48"	65.0	58	18-7/8	40	8-5/8	4", 6", 8"	1010	4,346	80
BT_0450F__-125N	450	<b>497</b>	48"	72.0	58	18-7/8	40	8-5/8	4", 6", 8"	1080	4,833	88
BT_0500F__-125N	500	<b>551</b>	48"	79.0	58	18-7/8	40	8-5/8	4", 6", 8"	1160	5,330	95
BT_0700F__-125N	700	<b>712</b>	48"	100.0	58	18-7/8	40	8-5/8	4", 6", 8"	1300	7,138	117
BT_0850F__-125N	850	<b>873</b>	54"	99.0	64	22-5/8	44	9-3/8	4", 6", 8"	1880	8,969	127
BT_1050F__-125N	1,050	<b>1,077</b>	60"	99.0	72*	24-3/4	50	9-3/4	6", 8", 10"	2130	10,887	143
BT_1250F__-125N	1,250	<b>1,279</b>	60"	115.9	70/72*	25-3/4	50	10	6", 8", 10", 12"	2280	12,705	166
BT_1500F__-125N	1,500	<b>1,543</b>	60"	137.9	70/72*	25-3/4	50	10	6", 8", 10", 12"	2740	15,250	194
BT_1750F__-125N	1,750	<b>1,755</b>	72"	113.3	82/84*	28-1/2	64	14-1/8	6", 8", 10", 12"	3340	17,935	199
BT_2000F__-125N	2,000	<b>2,014</b>	72"	128.3	82/84*	28-1/2	64	14-1/8	6", 8", 10", 12"	3640	20,320	223
BT_2500F__-125N	2,500	<b>2,547</b>	84"	123.5	94/96*	32	72	14-1/8	6", 8", 10", 12"	5340	26,190	256
BT_3000F__-125N	3,000	<b>3,063</b>	84"	145.5	94/96*	32	72	14-1/8	6", 8", 10", 12"	6140	31,160	296

BT\_ " H " for High Connections, " L " for Low Connections

F\_ \_ Connection Size Required, Example: F06



Refer to standard submittal as this sheet is a "Quick Reference Guide" only.  
Go to [www.taco-hvac.com](http://www.taco-hvac.com) > Products > Buffer Tanks > Submittals



# Quick Reference Guide

## Submittal Data 401-181

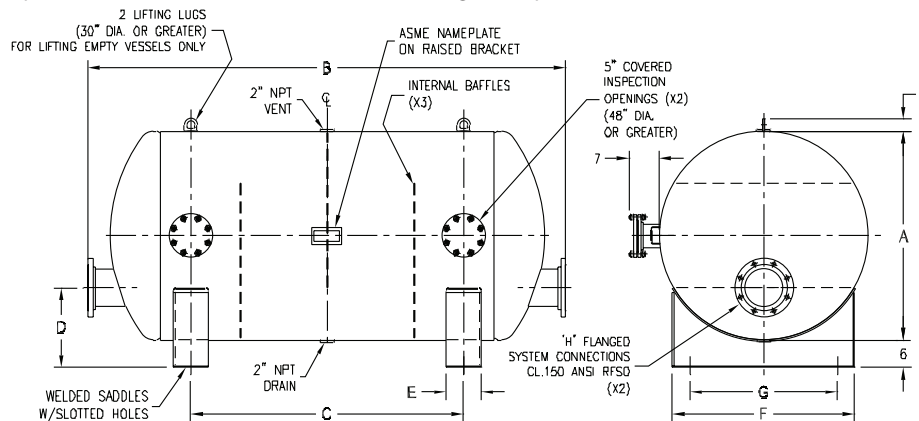
'BHL' Flanged Horizontal Buffer Tanks with Low Connections

Model	Tank Volume (gal.)	A	B**	C	D	E	F	G	H	APPROX WEIGHT (LBS.)
		Tank Dia. (in.)	Tank Height (in.)	Flange Spread (in.) Min./Max.	AFF to Flange (in.)	Saddle Data (in.)			Nozzle Size (in.)	
BHL0050F__-125N	50	20	53	21-1/2	11	6	18	14	2, 3, 4	190
BHL0075F__-125N	75	24	56	22-1/4	12	6	22	18	2, 3, 4	240
BHL0100F__-125N	100	24	71	37-1/4	12	6	22	18	2, 3, 4	280
BHL0125F__-125N	125	24	86	52-1/4	12	6	22	18	2, 3, 4	330
BHL0150F__-125N	150	30	70	33	13-3/4	6	26	20	2, 3, 4	510
BHL0180F__-125N	180	30	81	44	13-3/4	6	26	20	2, 3, 4	590
BHL0200F__-125N	200	30	88	51	13-3/4	6	26	20	2, 3, 4	630
BHL0250F__-125N	250	36	79	37	15-1/4	8	32	24	3, 4, 6	710
BHL0300F__-125N	300	36	92	50	15-1/4	8	32	24	3, 4, 6	820
BHL0350F__-125N	350	36	104	62	15-1/4	8	32	24	3, 4, 8	910
BHL0400F__-125N	400	48	75	27-3/4	18-1/4	8	42	34	4, 6, 8	1010
BHL0450F__-125N	450	48	82	34-3/4	18-1/4	8	42	34	4, 6, 8	1080
BHL0500F__-125N	500	48	89	41-3/4	18-1/4	8	42	34	4, 6, 8	1160
BHL0700F__-125N	700	48	110	62-3/4	18-1/4	8	42	34	4, 6, 8	1300
BHL0850F__-125N	850	54	109	54-1/2	19-3/4	8	46	38	4, 6, 8	1880
BHL1050F__-125N	1050	60	109 **	50-1/8	21-1/4	8	52	44	6, 8, 10	2130
BHL1250F__-125N	1250	60	125-7/8 **	65	21-1/4	8	52	44	6, 8, 10, 12	2340
BHL1500F__-125N	1500	60	147-7/8 **	87	21-1/4	8	52	44	6, 8, 10, 12	2740
BHL1750F__-125N	1750	72	123-1/4 **	57	24-1/4	8	62	50	6, 8, 10, 12	3340
BHL2000F__-125N	2000	72	138-1/4 **	72	24-1/4	8	62	50	6, 8, 10, 12	3640
BHL2500F__-125N	2500	84	133-1/2 **	60	27-1/4	8	72	60	6, 8, 10, 12	5340
BHL3000F__-125N	3000	84	155-1/2 **	82	27-1/4	8	72	60	6, 8, 10, 12	6140

\*\*Add 2" to 'B' dimension when specifying 10" or 12" nozzles.

### SIZES & DIMENSIONS

All dimensions shown are subject to change and should not be used for pre-piping. Contact your local Taco representative should certified dimensional drawings be required.



BHL

Refer to standard submittal as this sheet is a "Quick Reference Guide" only.  
Go to [www.taco-hvac.com](http://www.taco-hvac.com) > Products > Buffer Tanks > Submittals



**Submittal Data 401-180**

'BHH' Flanged Horizontal Buffer Tanks with High Connections

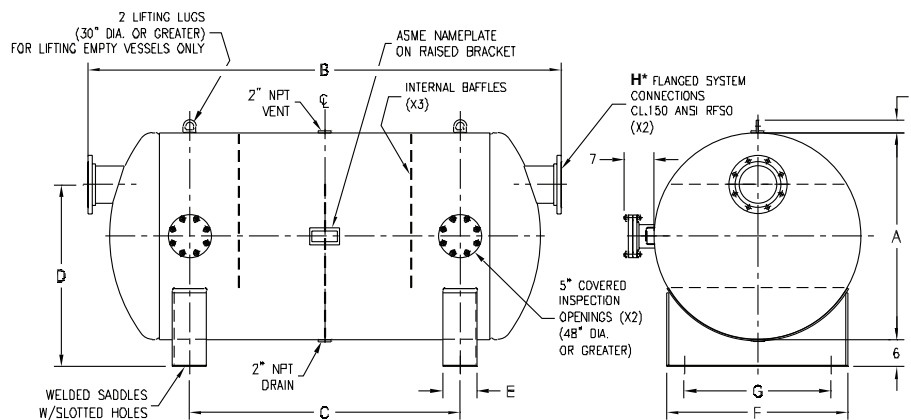
**Quick Reference Guide**

Model	Tank Volume (gal.)	A	B**	C	D	E	F	G	H	APPROX WEIGHT (LBS.)
		Tank Dia. (in.)	Tank Height (in.)	Flange Spread (in.) Min./Max.	AFF to Flange (in.)	Saddle Data (in.)			Nozzle Size (in.)	
BHH0050F__-125N	50	20	53	21-1/2	21	6	18	14	2, 3, 4	190
BHH0075F__-125N	75	24	56	22-1/4	24	6	22	18	2, 3, 4	240
BHH0100F__-125N	100	24	71	37-1/4	24	6	22	18	2, 3, 4	280
BHH0125F__-125N	125	24	86	52-1/4	24	6	22	18	2, 3, 4	330
BHH0150F__-125N	150	30	70	33	28-3/4	6	26	20	2, 3, 4	510
BHH0180F__-125N	180	30	81	44	28-3/4	6	26	20	2, 3, 4	590
BHH0200F__-125N	200	30	88	51	28-3/4	6	26	20	2, 3, 4	630
BHH0250F__-125N	250	36	79	37	33-1/4	8	32	24	3, 4, 6	710
BHH0300F__-125N	300	36	92	50	33-1/4	8	32	24	3, 4, 6	820
BHH0350F__-125N	350	36	104	62	33-1/4	8	32	24	3, 4, 8	910
BHH0400F__-125N	400	48	75	27-3/4	42-1/4	8	42	34	4, 6, 8	1010
BHH0450F__-125N	450	48	82	34-3/4	42-1/4	8	42	34	4, 6, 8	1080
BHH0500F__-125N	500	48	89	41-3/4	42-1/4	8	42	34	4, 6, 8	1160
BHH0700F__-125N	700	48	110	62-3/4	42-1/4	8	42	34	4, 6, 8	1300
BHH0850F__-125N	850	54	109	54-1/2	46-3/4	8	46	38	4, 6, 8	1880
BHH1050F__-125N	1050	60	109 **	50-1/8	51-1/4	8	52	44	6, 8, 10	2130
BHH1250F__-125N	1250	60	125-7/8 **	65	51-1/4	8	52	44	6, 8, 10, 12	2340
BHH1500F__-125N	1500	60	147-7/8 **	87	51-1/4	8	52	44	6, 8, 10, 12	2740
BHH1750F__-125N	1750	72	123-1/4 **	57	60-1/4	8	62	50	6, 8, 10, 12	3340
BHH2000F__-125N	2000	72	138-1/4 **	72	60-1/4	8	62	50	6, 8, 10, 12	3640
BHH2500F__-125N	2500	84	133-1/2 **	60	69-1/4	8	72	60	6, 8, 10, 12	5340
BHH3000F__-125N	3000	84	155-1/2 **	82	69-1/4	8	72	60	6, 8, 10, 12	6140

\*\*Add 2" to 'B' dimension when specifying 10" or 12" nozzles.

**SIZES & DIMENSIONS**

All dimensions shown are subject to change and should not be used for pre-piping. Contact your local Taco representative should certified dimensional drawings be required.



**BHH**

Refer to standard submittal as this sheet is a "Quick Reference Guide" only. Go to [www.taco-hvac.com](http://www.taco-hvac.com) > Products > Buffer Tanks > Submittals



# Quick Reference Guide

## Submittal Data 401-182

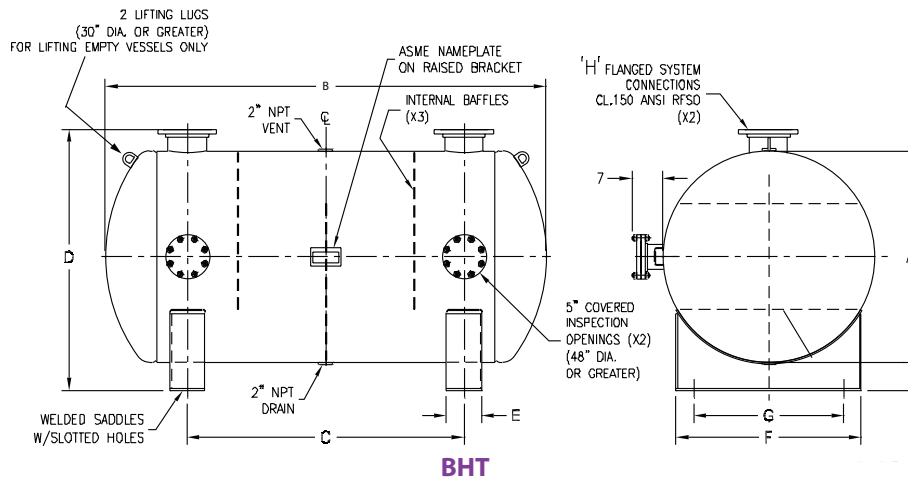
'BHT' Flanged Horizontal Buffer Tanks with Top Connections

Model	Tank Volume (gal.)	A	B	C	D**	E			F	G	H	APPROX WEIGHT (LBS.)
		Tank Dia. (in.)	Tank Height (in.)	Flange Spread (in.) Min./Max.	AFF to Flange (in.)	Saddle Data (in.)			Nozzle Size (in.)			
BHT0050F__-125N	50	20	43	21-1/2	21	6	18	14	2, 3, 4	190		
BHT0075F__-125N	75	24	46	22-1/4	24	6	22	18	2, 3, 4	240		
BHT0100F__-125N	100	24	61	37-1/4	24	6	22	18	2, 3, 4	280		
BHT0125F__-125N	125	24	76	52-1/4	24	6	22	18	2, 3, 4	330		
BHT0150F__-125N	150	30	60	33	28-3/4	6	26	20	2, 3, 4	510		
BHT0180F__-125N	180	30	71	44	28-3/4	6	26	20	2, 3, 4	590		
BHT0200F__-125N	200	30	78	51	28-3/4	6	26	20	2, 3, 4	630		
BHT0250F__-125N	250	36	69	37	33-1/4	8	32	24	3, 4, 6	710		
BHT0300F__-125N	300	36	82	50	33-1/4	8	32	24	3, 4, 6	820		
BHT0350F__-125N	350	36	94	62	33-1/4	8	32	24	3, 4, 8	910		
BHT0400F__-125N	400	48	65	27-3/4	42-1/4	8	42	34	4, 6, 8	1010		
BHT0450F__-125N	450	48	72	34-3/4	42-1/4	8	42	34	4, 6, 8	1080		
BHT0500F__-125N	500	48	79	41-3/4	42-1/4	8	42	34	4, 6, 8	1160		
BHT0700F__-125N	700	48	100	62-3/4	42-1/4	8	42	34	4, 6, 8	1300		
BHT0850F__-125N	850	54	99	54-1/2	46-3/4	8	46	38	4, 6, 8	1880		
BHT1050F__-125N	1050	60	99	50-1/8	51-1/4	8	52	44	6, 8, 10	2130		
BHT1250F__-125N	1250	60	115 7/8	65	51-1/4	8	52	44	6, 8, 10, 12	2340		
BHT1500F__-125N	1500	60	137 7/8	87	51-1/4	8	52	44	6, 8, 10, 12	2740		
BHT1750F__-125N	1750	72	113 1/4	57	60-1/4	8	62	50	6, 8, 10, 12	3340		
BHT2000F__-125N	2000	72	128 1/4	72	60-1/4	8	62	50	6, 8, 10, 12	3640		
BHT2500F__-125N	2500	84	123 1/2	60	69-1/4	8	72	60	6, 8, 10, 12	5340		
BHT3000F__-125N	3000	84	145 1/2	82	69-1/4	8	72	60	6, 8, 10, 12	6140		

\*\*Add 1" to 'D' dimension when specifying 10" or 12" nozzles.

### SIZES & DIMENSIONS

All dimensions shown are subject to change and should not be used for pre-piping. Contact your local Taco representative should certified dimensional drawings be required.



Refer to standard submittal as this sheet is a "Quick Reference Guide" only.  
Go to [www.taco-hvac.com](http://www.taco-hvac.com) > Products > Buffer Tanks > Submittals



**Submittal Data 401-183**

'BHS' Flanged Horizontal Buffer Tanks with Side Connections

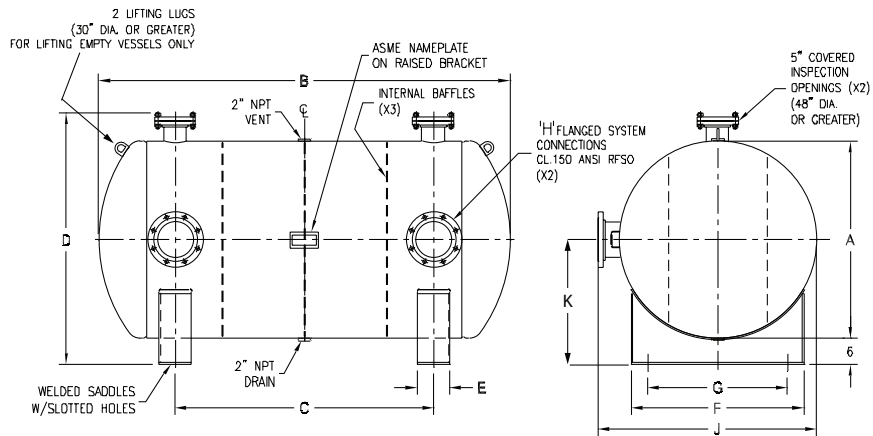
# Quick Reference Guide

Model	Tank Vol. (gal.)	A	B	C	D**	E	F	G	H	J	K	APPROX WEIGHT (LBS.)
		Tank Dia. (in.)	Tank Height (in.)	Flange Spread (in.) Min./Max.	AFF to Flange (in.)	Saddle Data (in.)			Nozzle Size (in.)		(in.)	
BHS0050F__-125N	50	20	43	21-1/2	21	6	18	14	2, 3, 4	25	16	190
BHS0075F__-125N	75	24	46	22-1/4	24	6	22	18	2, 3, 4	29	18	240
BHS0100F__-125N	100	24	61	37-1/4	24	6	22	18	2, 3, 4	29	18	280
BHS0125F__-125N	125	24	76	52-1/4	24	6	22	18	2, 3, 4	29	18	330
BHS0150F__-125N	150	30	60	33	28-3/4	6	26	20	2, 3, 4	35	21-1/4	510
BHS0180F__-125N	180	30	71	44	28-3/4	6	26	20	2, 3, 4	35	21-1/4	590
BHS0200F__-125N	200	30	78	51	28-3/4	6	26	20	2, 3, 4	35	21-1/4	630
BHS0250F__-125N	250	36	69	37	33-1/4	8	32	24	3, 4, 6	41	24-1/4	710
BHS0300F__-125N	300	36	82	50	33-1/4	8	32	24	3, 4, 6	41	24-1/4	820
BHS0350F__-125N	350	36	94	62	33-1/4	8	32	24	3, 4, 8	41	24-1/4	910
BHS0400F__-125N	400	48	65	27-3/4	42-1/4	8	42	34	4, 6, 8	53	30-1/4	1010
BHS0450F__-125N	450	48	72	34-3/4	42-1/4	8	42	34	4, 6, 8	53	30-1/4	1080
BHS0500F__-125N	500	48	79	41-3/4	42-1/4	8	42	34	4, 6, 8	53	30-1/4	1160
BHS0700F__-125N	700	48	100	62-3/4	42-1/4	8	42	34	4, 6, 8	53	30-1/4	1300
BHS0850F__-125N	850	54	99	54-1/2	46-3/4	8	46	38	4, 6, 8	59	33-1/4	1880
BHS1050F__-125N	1050	60	99	50-1/8	51-1/4	8	52	44	6, 8, 10	65	36-1/4	2130
BHS1250F__-125N	1250	60	115-7/8	65	51-1/4	8	52	44	6, 8, 10, 12	65**	36-1/4	2340
BHS1500F__-125N	1500	60	137-7/8	87	51-1/4	8	52	44	6, 8, 10, 12	65**	36-1/4	2740
BHS1750F__-125N	1750	72	113-1/4	57	60-1/4	8	62	50	6, 8, 10, 12	77**	42-1/4	3340
BHS2000F__-125N	2000	72	128-1/4	72	60-1/4	8	62	50	6, 8, 10, 12	77**	42-1/4	3640
BHS2500F__-125N	2500	84	123-1/2	60	69-1/4	8	72	60	6, 8, 10, 12	89**	48-1/4	5340
BHS3000F__-125N	3000	84	145-1/2	82	69-1/4	8	72	60	6, 8, 10, 12	89**	48-1/4	6140

\*\*Add 1" to 'J' dimension when specifying 10" or 12" nozzles.

**SIZES & DIMENSIONS**

All dimensions shown are subject to change and should not be used for pre-piping. Contact your local Taco representative should certified dimensional drawings be required.



**BHS**

Refer to standard submittal as this sheet is a "Quick Reference Guide" only. Go to [www.taco-hvac.com](http://www.taco-hvac.com) > Products > Buffer Tanks > Submittals



# Quick Reference Guide

## Submittal Data 401-185

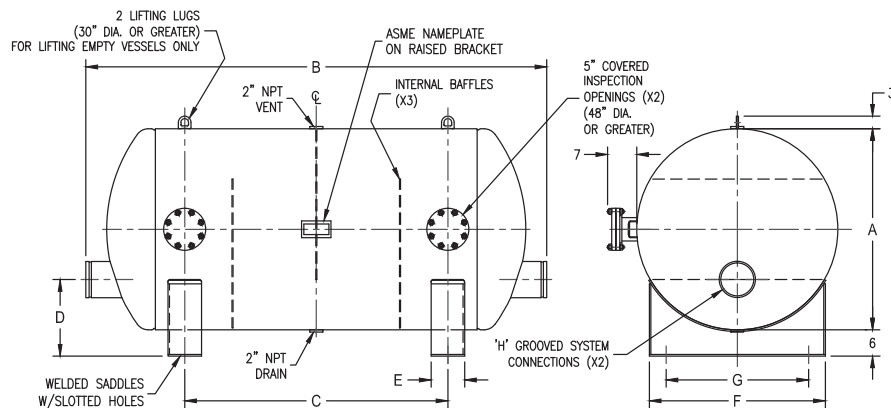
'BHL' Grooved Horizontal Buffer Tanks with Low Connections

Model	Tank Volume (gal.)	A	B**	C	D	E	F	G	H	APPROX WEIGHT (LBS.)
		Tank Dia. (in.)	Tank Height (in.)	Flange Spread (in.) Min./Max.	AFF to Flange (in.)	Saddle Data (in.)			Nozzle Size (in.)	
BHL0050F__-125N	50	20	53	21-1/2	21	6	18	14	2, 3, 4	190
BHL0075F__-125N	75	24	56	22-1/4	24	6	22	18	2, 3, 4	240
BHL0100F__-125N	100	24	71	37-1/4	24	6	22	18	2, 3, 4	280
BHL0125F__-125N	125	24	86	52-1/4	24	6	22	18	2, 3, 4	330
BHL0150F__-125N	150	30	70	33	28-3/4	6	26	20	2, 3, 4	510
BHL0180F__-125N	180	30	81	44	28-3/4	6	26	20	2, 3, 4	590
BHL0200F__-125N	200	30	88	51	28-3/4	6	26	20	2, 3, 4	630
BHL0250F__-125N	250	36	79	37	33-1/4	8	32	24	3, 4, 6	710
BHL0300F__-125N	300	36	92	50	33-1/4	8	32	24	3, 4, 6	820
BHL0350F__-125N	350	36	104	62	33-1/4	8	32	24	3, 4, 8	910
BHL0400F__-125N	400	48	75	27-3/4	42-1/4	8	42	34	4, 6, 8	1010
BHL0450F__-125N	450	48	82	34-3/4	42-1/4	8	42	34	4, 6, 8	1080
BHL0500F__-125N	500	48	89	41-3/4	42-1/4	8	42	34	4, 6, 8	1160
BHL0700F__-125N	700	48	110	62-3/4	42-1/4	8	42	34	4, 6, 8	1300
BHL0850F__-125N	850	54	109	54-1/2	46-3/4	8	46	38	4, 6, 8	1880
BHL1050F__-125N	1050	60	109**	50-1/8	51-1/4	8	52	44	6, 8, 10	2130
BHL1250F__-125N	1250	60	125-7/8	65	51-1/4	8	52	44	6, 8, 10, 12	2340
BHL1500F__-125N	1500	60	147-7/8	87	51-1/4	8	52	44	6, 8, 10, 12	2740
BHL1750F__-125N	1750	72	123-1/4	57	60-1/4	8	62	50	6, 8, 10, 12	3340
BHL2000F__-125N	2000	72	138-1/4	72	60-1/4	8	62	50	6, 8, 10, 12	3640
BHL2500F__-125N	2500	84	133-1/2	60	69-1/4	8	72	60	6, 8, 10, 12	5340
BHL3000F__-125N	3000	84	155-1/2	82	69-1/4	8	72	60	6, 8, 10, 12	6140

\*\*Add 2" to 'B' dimension when specifying 10" or 12" nozzles.

### SIZES & DIMENSIONS

All dimensions shown are subject to change and should not be used for pre-piping. Contact your local Taco representative should certified dimensional drawings be required.



### BHL Grooved Connections

Refer to standard submittal as this sheet is a "Quick Reference Guide" only. Go to [www.taco-hvac.com](http://www.taco-hvac.com) > Products > Buffer Tanks > Submittals





**Submittal Data 401-184**

'BHH' Grooved Horizontal Buffer Tanks with High Connections

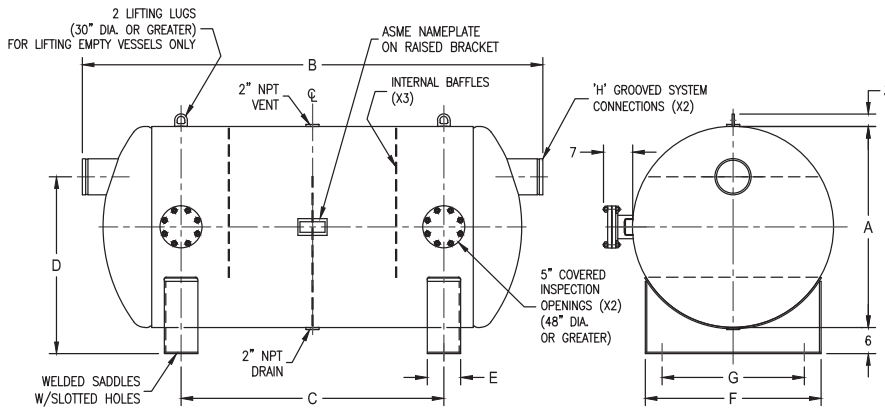
# Quick Reference Guide

Model	Tank Volume (gal.)	A	B**	C	D	E	F	G	H	APPROX WEIGHT (LBS.)
		Tank Dia. (in.)	Tank Height (in.)	Flange Spread (in.) Min./Max.	AFF to Flange (in.)	Saddle Data (in.)			Nozzle Size (in.)	
BHH0050F__-125N	50	20	53	21-1/2	21	6	18	14	2, 3, 4	190
BHH0075F__-125N	75	24	56	22-1/4	24	6	22	18	2, 3, 4	240
BHH0100F__-125N	100	24	71	37-1/4	24	6	22	18	2, 3, 4	280
BHH0125F__-125N	125	24	86	52-1/4	24	6	22	18	2, 3, 4	330
BHH0150F__-125N	150	30	70	33	28-3/4	6	26	20	2, 3, 4	510
BHH0180F__-125N	180	30	81	44	28-3/4	6	26	20	2, 3, 4	590
BHH0200F__-125N	200	30	88	51	28-3/4	6	26	20	2, 3, 4	630
BHH0250F__-125N	250	36	79	37	33-1/4	8	32	24	3, 4, 6	710
BHH0300F__-125N	300	36	92	50	33-1/4	8	32	24	3, 4, 6	820
BHH0350F__-125N	350	36	104	62	33-1/4	8	32	24	3, 4, 8	910
BHH0400F__-125N	400	48	75	27-3/4	42-1/4	8	42	34	4, 6, 8	1010
BHH0450F__-125N	450	48	82	34-3/4	42-1/4	8	42	34	4, 6, 8	1080
BHH0500F__-125N	500	48	89	41-3/4	42-1/4	8	42	34	4, 6, 8	1160
BHH0700F__-125N	700	48	110	62-3/4	42-1/4	8	42	34	4, 6, 8	1300
BHH0850F__-125N	850	54	109	54-1/2	46-3/4	8	46	38	4, 6, 8	1880
BHH1050F__-125N	1050	60	109**	50-1/8	51-1/4	8	52	44	6, 8, 10	2130
BHH1250F__-125N	1250	60	125-7/8	65	51-1/4	8	52	44	6, 8, 10, 12	2340
BHH1500F__-125N	1500	60	147-7/8	87	51-1/4	8	52	44	6, 8, 10, 12	2740
BHH1750F__-125N	1750	72	123-1/4	57	60-1/4	8	62	50	6, 8, 10, 12	3340
BHH2000F__-125N	2000	72	138-1/4	72	60-1/4	8	62	50	6, 8, 10, 12	3640
BHL2500F__-125N	2500	84	133-1/2	60	69-1/4	8	72	60	6, 8, 10, 12	5340
BHL3000F__-125N	3000	84	155-1/2	82	69-1/4	8	72	60	6, 8, 10, 12	6140

\*\*Add 2" to 'B' dimension when specifying 10" or 12" nozzles.

**SIZES & DIMENSIONS**

All dimensions shown are subject to change and should not be used for pre-piping. Contact your local Taco representative should certified dimensional drawings be required.



**BHH Grooved Connections**

Refer to standard submittal as this sheet is a "Quick Reference Guide" only. Go to [www.taco-hvac.com](http://www.taco-hvac.com) > Products > Buffer Tanks > Submittals



# Quick Reference Guide

## Submittal Data 401-186

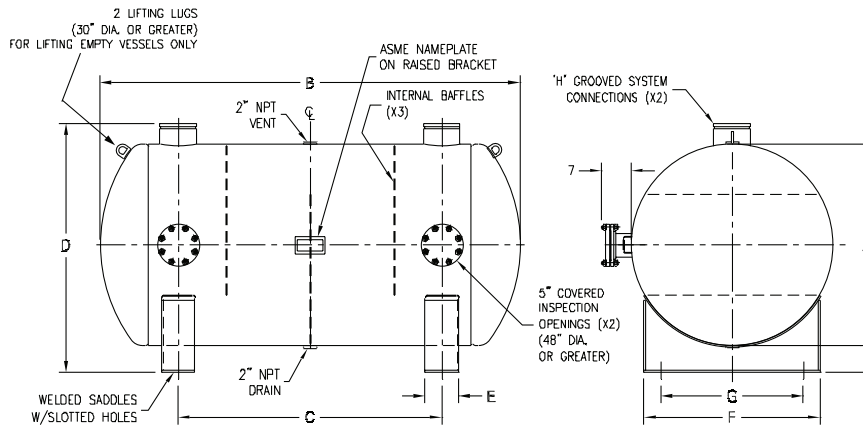
'BHT' Grooved Horizontal Buffer Tanks with Top Connections

Model	Tank Volume (gal.)	A	B	C	D**	E			F	G	H	APPROX WEIGHT (LBS.)
		Tank Dia. (in.)	Tank Height (in.)	Flange Spread (in.) Min./Max.	AFF to Flange (in.)	Saddle Data (in.)			Nozzle Size (in.)			
BHT0050F__-125N	50	20	43	21-1/2	31	6	18	14	2, 3, 4	190		
BHT0075F__-125N	75	24	46	22-1/4	35	6	22	18	2, 3, 4	240		
BHT0100F__-125N	100	24	61	37-1/4	35	6	22	18	2, 3, 4	280		
BHT0125F__-125N	125	24	76	52-1/4	35	6	22	18	2, 3, 4	330		
BHT0150F__-125N	150	30	60	33	41 1/4	6	26	20	2, 3, 4	510		
BHT0180F__-125N	180	30	71	44	41 1/4	6	26	20	2, 3, 4	590		
BHT0200F__-125N	200	30	78	51	41 1/4	6	26	20	2, 3, 4	630		
BHT0250F__-125N	250	36	69	37	47 1/4	8	32	24	3, 4, 6	710		
BHT0300F__-125N	300	36	82	50	47 1/4	8	32	24	3, 4, 6	820		
BHT0350F__-125N	350	36	94	62	47 1/4	8	32	24	3, 4, 8	910		
BHT0400F__-125N	400	48	65	27-3/4	59 1/4	8	42	34	4, 6, 8	1010		
BHT0450F__-125N	450	48	72	34-3/4	59 1/4	8	42	34	4, 6, 8	1080		
BHT0500F__-125N	500	48	79	41-3/4	59 1/4	8	42	34	4, 6, 8	1160		
BHT0700F__-125N	700	48	100	62-3/4	59 1/4	8	42	34	4, 6, 8	1300		
BHT0850F__-125N	850	54	99	54-1/2	65 1/4	8	46	38	4, 6, 8	1880		
BHT1050F__-125N	1050	60	99	50-1/8	71 1/4 **	8	52	44	6, 8, 10	2130		
BHT1250F__-125N	1250	60	115-7/8	65	71 1/4 **	8	52	44	6, 8, 10, 12	2340		
BHT1500F__-125N	1500	60	137-7/8	87	71 1/4 **	8	52	44	6, 8, 10, 12	2740		
BHT1750F__-125N	1750	72	113-1/4	57	83 1/4 **	8	62	50	6, 8, 10, 12	3340		
BHT2000F__-125N	2000	72	128-1/4	72	83 1/4 **	8	62	50	6, 8, 10, 12	3640		
BHT2500F__-125N	2500	84	123-1/2	60	95 1/4 **	8	72	60	6, 8, 10, 12	5340		
BHT3000F__-125N	3000	84	145-1/2	82	95 1/4 **	8	72	60	6, 8, 10, 12	6140		

\*\*Add 1" to 'D' dimension when specifying 10" or 12" nozzles.

### SIZES & DIMENSIONS

All dimensions shown are subject to change and should not be used for pre-piping. Contact your local Taco representative should certified dimensional drawings be required.



### BHT Grooved Connections

Refer to standard submittal as this sheet is a "Quick Reference Guide" only. Go to [www.taco-hvac.com](http://www.taco-hvac.com) > Products > Buffer Tanks > Submittals



**Submittal Data 401-187**

'BHS' Grooved Horizontal Buffer Tanks with Side Connections

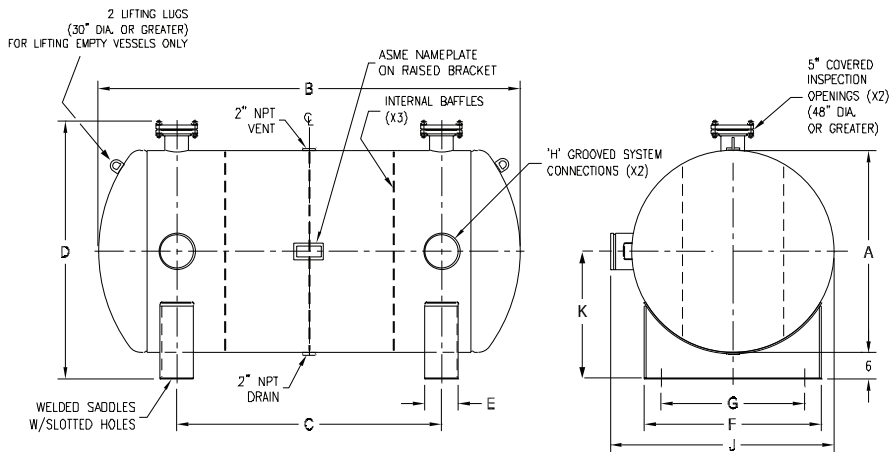
# Quick Reference Guide

Model	Tank Vol. (gal.)	A	B	C	D	E	F	G	H	J**	K	APPROX WEIGHT (LBS.)
		Tank Dia. (in.)	Tank Height (in.)	Flange Spread (in.) Min./Max.	AFF to Flange (in.)	Saddle Data (in.)			Nozzle Size (in.)	(in.)	(in.)	
BHS0050G__-125N	50	20	43	21-1/2	26	6	18	14	2, 3, 4	25	16	190
BHS0075F__-125N	75	24	46	22-1/4	30	6	22	18	2, 3, 4	29	18	240
BHS0100G__-125N	100	24	61	37-1/4	30	6	22	18	2, 3, 4	29	18	280
BHS0125F__-125N	125	24	76	52-1/4	30	6	22	18	2, 3, 4	29	18	330
BHS0150G__-125N	150	30	60	33	36 1/4	6	26	20	2, 3, 4	35	21-1/4	510
BHS0180G__-125N	180	30	71	44	36 1/4	6	26	20	2, 3, 4	35	21-1/4	590
BHS0200G__-125N	200	30	78	51	36 1/4	6	26	20	2, 3, 4	35	21-1/4	630
BHS0250G__-125N	250	36	69	37	42 1/4	8	32	24	3, 4, 6	41	24-1/4	710
BHS0300G__-125N	300	36	82	50	42 1/4	8	32	24	3, 4, 6	41	24-1/4	820
BHS0350G__-125N	350	36	94	62	42 1/4	8	32	24	3, 4, 8	41	24-1/4	910
BHS0400G__-125N	400	48	65	27-3/4	61 1/4	8	42	34	4, 6, 8	53	30-1/4	1010
BHS0450G__-125N	450	48	72	34-3/4	61 1/4	8	42	34	4, 6, 8	53	30-1/4	1080
BHS0500G__-125N	500	48	79	41-3/4	61 1/4	8	42	34	4, 6, 8	53	30-1/4	1160
BHS0700G__-125N	700	48	100	62-3/4	61 1/4	8	42	34	4, 6, 8	53	30-1/4	1300
BHS0850G__-125N	850	54	99	54-1/2	67 1/4	8	46	38	4, 6, 8	59	33-1/4	1880
BHS1050G__-125N	1050	60	99	50-1/8	73 1/4	8	52	44	6, 8, 10	65	36-1/4	2130
BHS1250G__-125N	1250	60	115-7/8	65	73 1/4	8	52	44	6, 8, 10, 12	65**	36-1/4	2340
BHS1500G__-125N	1500	60	137-7/8	87	73 1/4	8	52	44	6, 8, 10, 12	65**	36-1/4	2740
BHS1750G__-125N	1750	72	113-1/4	57	85 1/4	8	62	50	6, 8, 10, 12	77**	42-1/4	3340
BHS2000G__-125N	2000	72	128-1/4	72	85 1/4	8	62	50	6, 8, 10, 12	77**	42-1/4	3640
BHS2500G__-125N	2500	84	123-1/2	60	97 1/4	8	72	60	6, 8, 10, 12	89**	48-1/4	5340
BHS3000G__-125N	3000	84	145-1/2	82	97 1/4	8	72	60	6, 8, 10, 12	89**	48-1/4	6140

\*\*Add 1" to 'J' dimension when specifying 10" or 12" nozzles.

**SIZES & DIMENSIONS**

All dimensions shown are subject to change and should not be used for pre-piping. Contact your local Taco representative should certified dimensional drawings be required.



**BHS Grooved Connections**

Refer to standard submittal as this sheet is a "Quick Reference Guide" only. Go to [www.taco-hvac.com](http://www.taco-hvac.com) > Products > Buffer Tanks > Submittals



# Buffer Tank Coding Matrix with Baffles

Position	1, 2	3	4, 5, 6,7	8	9, 10	11	12, 13, 14	15	16
Description	Buffer Tanks	Connection Location	Gallons	Connection Type	Nozzle Size	Design Temp. °F	Design psi	Insulation	Options
Part Number	<b>BT</b>	<b>H</b>	<b>0050</b>	<b>F</b>	<b>04</b>	<b>-</b>	<b>125</b>	<b>N</b>	<b>N</b>

<b>1, 2, 3</b>					<b>9, 10</b>				
<b>Buffer Tanks</b>	<b>BTH</b>	Vertical Buffer Tank, Base Ring High Connections			<b>Nozzle Size</b>	02	2" ANSI		
<b>Carbon Steel</b>						03	3" ANSI		
<b>Construction</b>	<b>BTL</b>	Vertical Buffer Tank, Base Ring High Connections				04	4" ANSI		
						06	6" ANSI		
	<b>BHL</b>	Horizontal Buffer Tank Low Connections				08	8" ANSI		
	<b>BHH</b>	Horizontal Buffer Tank High Connections				10	10" ANSI		
	<b>BHT</b>	Horizontal Buffer Tank Top Connections				12	12" ANSI		
	<b>BHS</b>	Horizontal Buffer Tank Side Connections				---	<i>Custom Size Request*</i>		
	<b>CT</b>	<i>Custom Tank*</i>			<b>11</b>				
					<b>Design Temp. °F</b>	-	375°F, Standard, BT Series		
						A	400°F		
						B	450°F		
						9	<i>Custom Temp Request*</i>		
<b>4, 5, 6,7</b>					<b>12, 13, 14</b>				
<b>Capacity Gallons</b>	0050	50	Gallons		<b>Design Pressure</b>	125	psi		
	0075	75	Gallons			150	psi		
	0100	100	Gallons			9	<i>Custom Pressure Request*</i>		
	0125	125	Gallons						
	0150	150	Gallons						
	0180	180	Gallons		<b>15</b>				
	0200	200	Gallons		<b>Insulation Options</b>	N	No Insulation required		
	0250	250	Gallons			H	1" Silicon/Fiberglass		<i>For Interior use. Hot Water Insulation.</i>
	0300	300	Gallons			J	2" Silicon/Fiberglass		
	0350	350	Gallons						<i>For Interior use. Chilled Water Insulation.</i>
	0400	400	Gallons			C	1/2" Armaflex		
	0450	450	Gallons			E	3/4" Armaflex		
	0500	500	Gallons			D	1" Armaflex		
	0700	700	Gallons			F	1-1/2" Armaflex		
	0850	850	Gallons			G	2" Armaflex		
	1050	1050	Gallons						<i>For Exterior Use. Chilled Water Insulation.</i>
	1250	1250	Gallons			K	1/2" Armaflex w/ Alum. Jacket		
	1500	1500	Gallons			L	3/4" Armaflex w/ Alum. Jacket		
	1750	1750	Gallons			M	1" Armaflex w/ Alum. Jacket		
	2000	2000	Gallons			P	1-1/2" Armaflex w/ Alum. Jacket		
	2500	2500	Gallons			R	2" Armaflex w/ Alum. Jacket		
	3000	3000	Gallons						<i>For Interior/Exterior Use. Hot Water/Chilled Water Insulation.</i>
	---	<i>Custom Gal. Request*</i>				S	2" Polyisocyanurate with Alum. Jacket		
						T	3" Polyisocyanurate with Alum. Jacket		
						9	<i>Custom Insulation Request*</i>		
<b>8</b>					<b>16</b>				
<b>Connection</b>	F	Flanged			<b>Options</b>	N	None		
	G	Grooved							
	T	Threaded, FNPT up to 2-1/2"			<b>2" &amp; 2-1/2" Only</b>	A	Anchor Clips (4) BT Models Only		
	9	<i>Custom Type Request*</i>							

PLEASE NOTE: Any "Custom Request" a Part Number to this Matrix, Sketch & Description MUST BE Sent with the Request.



### Selection Software (APPS)

**Pump Selection:** [www.taco-hvac.com/en/wizard\\_pumps.html](http://www.taco-hvac.com/en/wizard_pumps.html)

**Buffer Tanks:** [www.taco-hvac.com/wizard\\_buffer\\_tanks.html](http://www.taco-hvac.com/wizard_buffer_tanks.html)

Taco Inc., 1160 Cranston Street, Cranston, RI 02920 / (401) 942-8000 / Fax (401) 942-2360  
 Taco (Canada) Ltd., 8450 Lawson Road, Unit #3, Milton, Ontario L9T 0J8 / (905) 564-9422 / Fax (905) 564-9436  
[www.TacoComfort.com](http://www.TacoComfort.com)